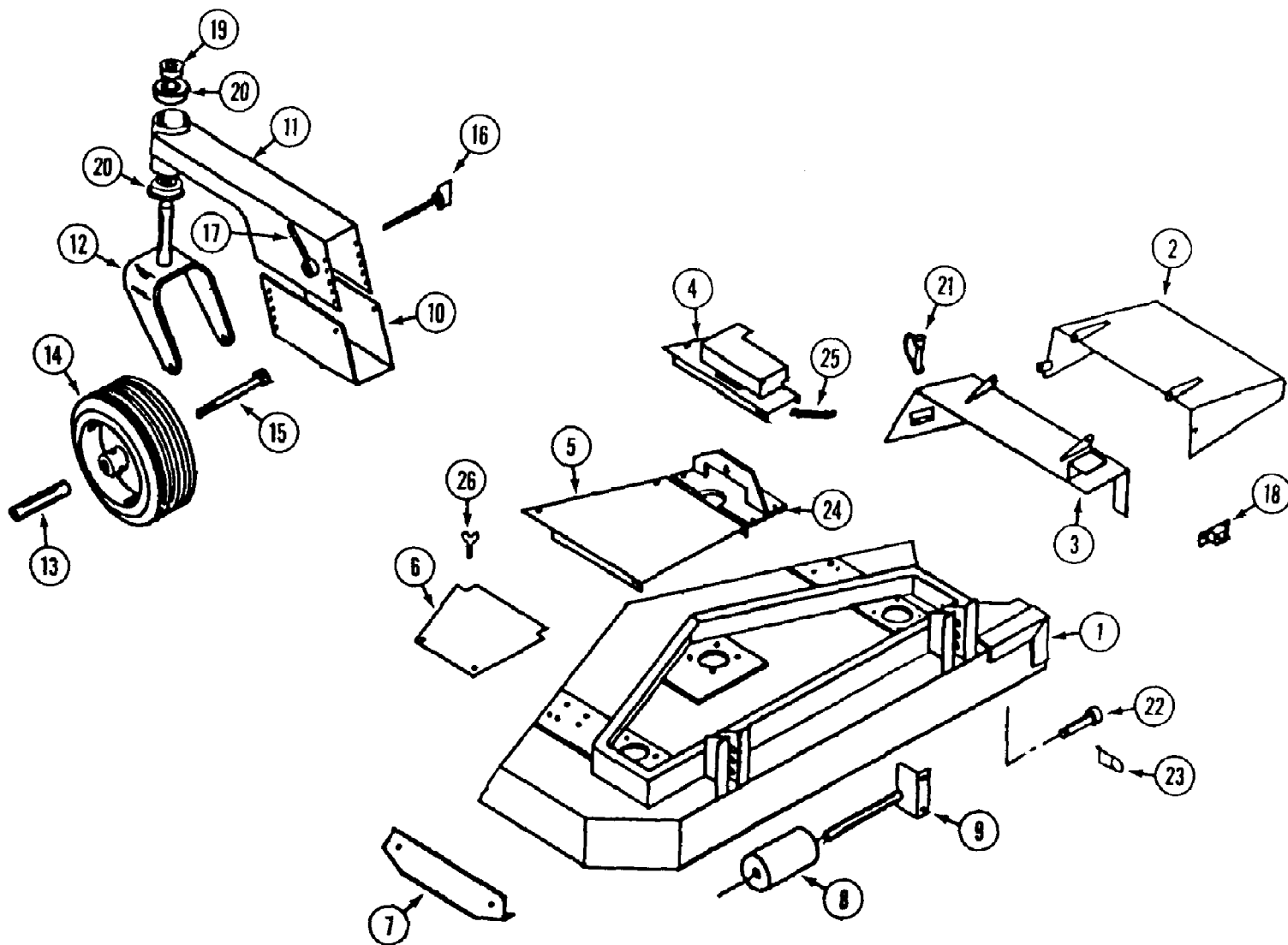


133-018-190 FR-1800C (1993)

Page 1 of 62

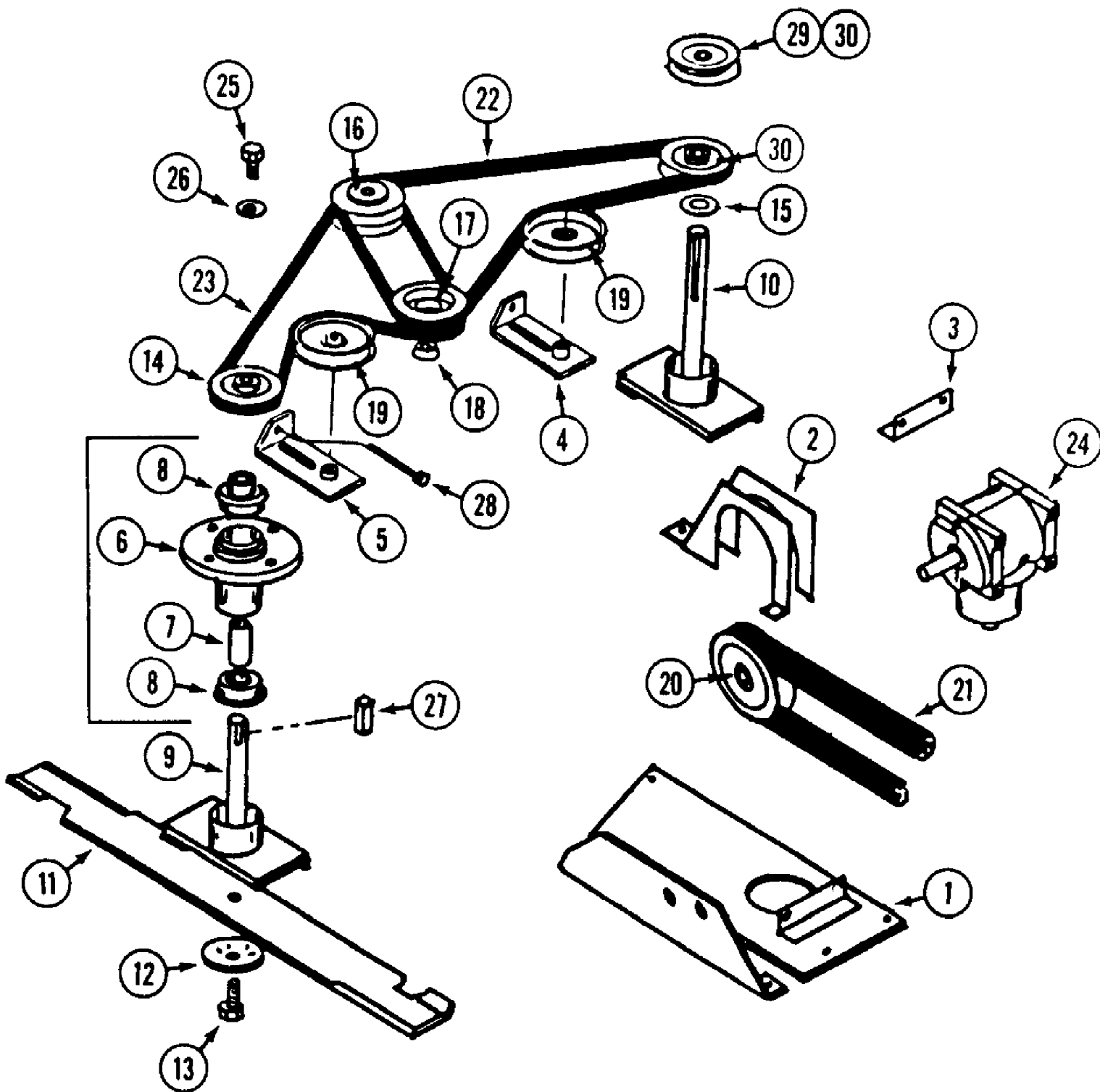
42" Mower Deck & Attaching Parts For W872 & W875 Mower Deck



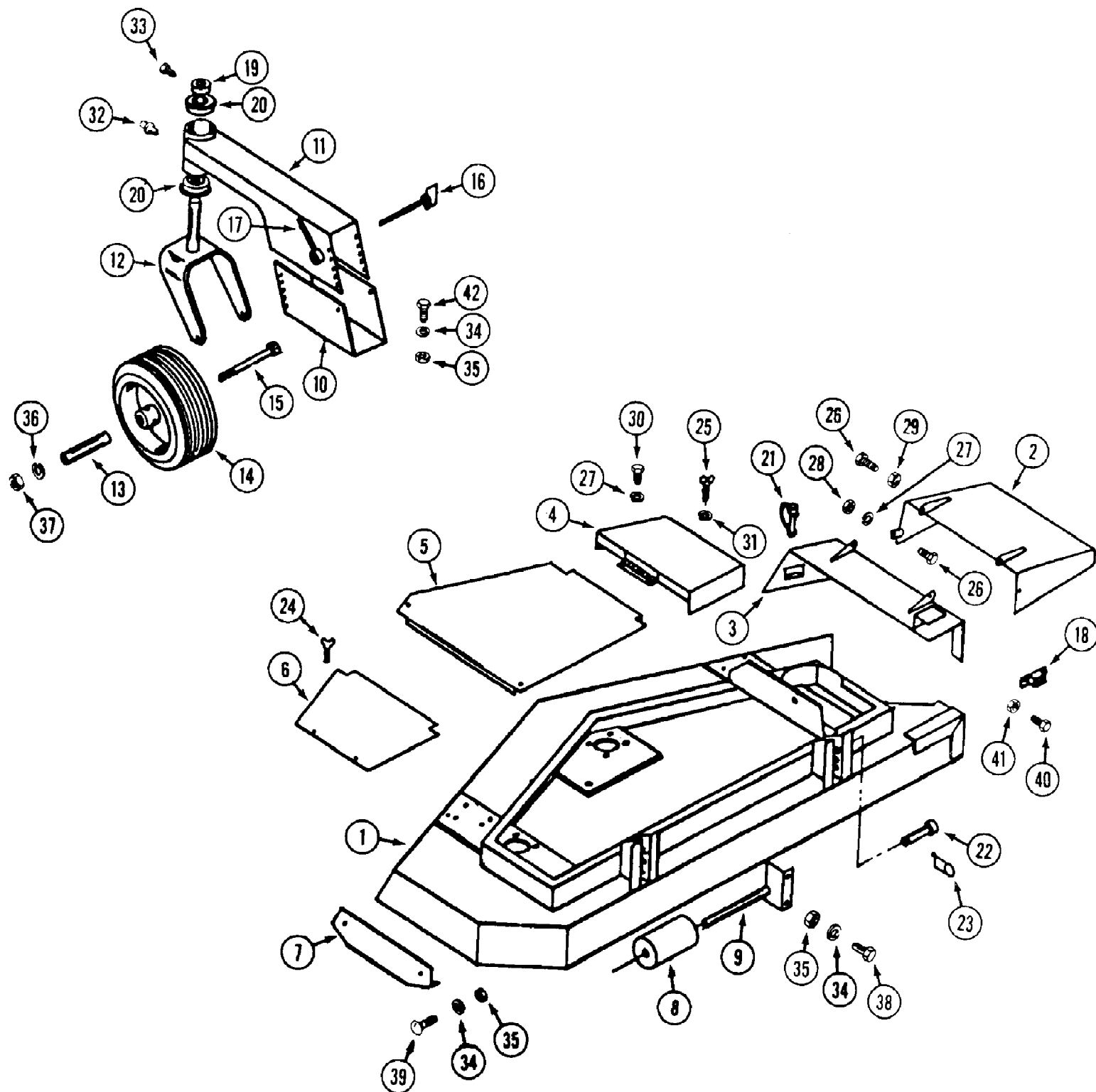
42" Mower Deck & Attaching Parts For W872 & W875 Mower Deck

Ref #	Part Number	Qty	S/P/F	Description
1	WD-310-0000	1		DECK - 42"
2	WD-320-0015	1		CHUTE - foot guard
3	WD-320-0016	1		MOUNT - foot guard
4	WD-310-0002	1		COVER - pulley
5	WD-310-0003	1		COVER - center
6	WD-300-0001	1		COVER - L.H.
7	WD-310-0007	1	S	SHOE - skid L.H.
8	WD-900-5559	1		ROLLER - anti-scalp
9	WD-300-0038	1		SHAFT - roller
10	WD-300-0044	2	S	BRACKET - gauge wheel mount
11	WD-300-0043	2		MOUNT - gauge wheel
12	WD-330-0007	2		FORK (2000C)
12	WD-320-0018	2		FORK (1800, 1800C)
13	WD-200-0017	2	S	AXLE wheel (2000C)
13	WD-320-0008	2		AXLE wheel (1800, 1800C)
14	WD-900-7008	2	S	WHEEL - gauge (2000C)
14	WD-900-4020	2		WHEEL - gauge (1800, 1800C)
	WD-900-3510	2	S	BEARING - wheel (1800, 1800C)
	WD-900-4006	1		TIRE - 11 x 4.00 - 5 (2000C)
	WD-900-4005	1		RIM - 5" (2000C)
	WD-900-3505	2	S	BEARING - wheel (2000C)
15	WD-900-6133	2	S	BOLT - 1/2"-13 x 6-1/2" (2000C)
15	WD-900-6036	2		BOLT - axle (1800, 1800C)
16	WD-900-6096	4		BOLT - wing
17	WD-900-6092	4		NUT - gauge wheel handle
18	WD-900-2044	1	S	BREAKER - circuit 10 amp
19	WD-900-5510	2		COLLAR - set 1"
20	WD-900-3501	4	S	BEARING - 1"
21	WD-900-5615	1		PIN - "fas-tatch"
22	WD-900-5519	2		PIN - deck
23	WD-900-5520	2		PIN - cotter, hair
24	WD-310-0004	1		MOUNT - deck
25	WD-900-5562	1		SPRING
26		4		SCREW - thumb 1/4"-20 x 1/2" (NSS. Use 113-3 and 192-19)

133-018-190 FR-1800C (1993)
42" Mower Drive For W872 & W875 Mower Deck



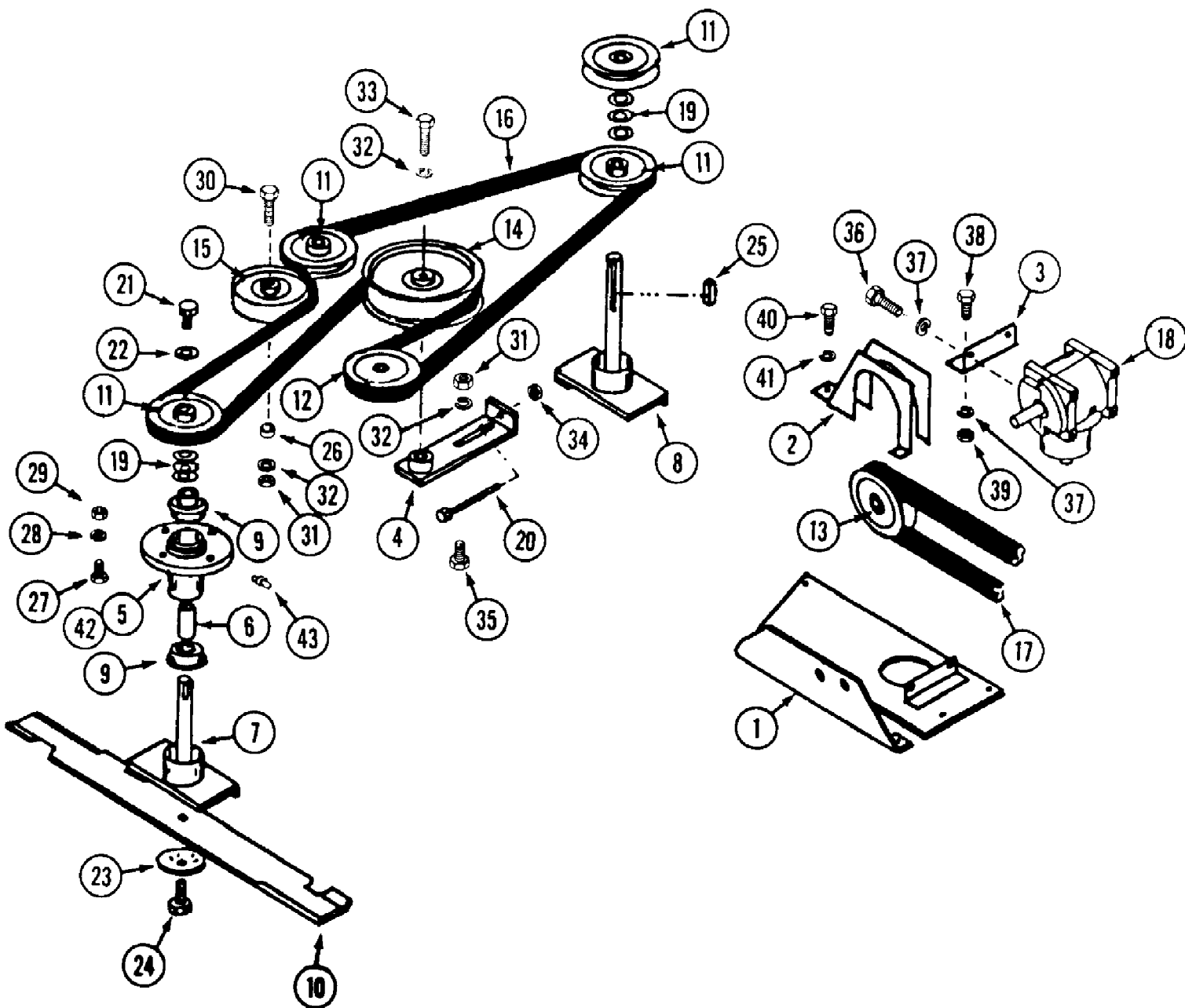
Ref #	Part Number	Qty	S/P/F	Description
1	WD-311-0001	1		MOUNT - gear box
2	WD-311-0002	1		GUARD - belt (1800, 1800C)
2	WD-330-0030	1		GUARD - belt (2000C)
3	WD-310-0006	1		ANGLE - gear box mount
4	WD-300-0029	1		TIGHTENER - belt
5	WD-300-0030	1		TIGHTENER - belt
6	WD-300-0025	3	S	HOUSING - spindle
7	WD-300-0027	3	S	SPACER - spindle
8	WD-900-3506	6	S	BEARING - spindle
9	WD-300-0026	2	S	SHAFT - spindle
10	WD-300-0033	1		SHAFT - spindle
11	WD-900-5530	3	S	BLADE (2000C)
11	WD-900-5531	3	S	BLADE (1800, 1800C)
12	WD-900-5534	3	S	WASHER - blade
13	WD-900-6080	3	S	BOLT - 3/8"-24 x 1-1/4"
14	WD-900-2507	2	S	PULLEY - spindle
15	WD-900-6002	9	S	WASHER - spacer
16	WD-900-2516	1	S	PULLEY - spindle, double
17	WD-900-2515	1		PULLEY - gear box output
18	WD-900-2515B	1		HUB - pulley
19	WD-900-2518	2	S	PULLEY - idler
20	WD-900-2525	1	S	PULLEY - gear box input (1800, 1800C)
20	WD-900-2543	1		PULLEY - gearbox input (2000C)
21	WD-900-3004	1	S	BELT - drive (1800)
21	WD-900-3023	1	S	BELT - drive (2000C)
21	WD-C44241	1	S	BELT - drive (1800C)
22	WD-900-3006	1	S	BELT - deck
23	WD-900-3007	1	S	BELT - deck
24	WD-900-5842	1	S	GEAR BOX
25	WD-900-6073	3	S	BOLT - 5/16"-24 x 3/4"
26	WD-300-0017	3	S	WASHER - 5/16", 10 ga.
27	WD-300-0021	6	S	KEY - 3/16" x 3/16" x 1"
28	WD-900-6034	2		BOLT - 1/4"-20 x 4"
29	WD-900-2528	1		PULLEY - spindle (1800, 1800C)
30	WD-900-2507	1	S	PULLEY - spindle (2000C)
?31	WD-600-0000	1	S	HOUSING ASSEMBLY - spindle (Includes ref. 6, 7, 8)



52" Mower Deck & Attaching Parts Model For W873 & W876 Mower Deck

Ref #	Part Number	Qty	S/P/F	Description
1	WD-C44086	1		DECK 52"
2	WD-320-0015	1		CHUTE - foot guard
3	WD-320-0016	1		MOUNT - foot guard
4	WD-320-0011	1		COVER - pulley
5	WD-320-0022	1		COVER - center
6	WD-320-0001	1		COVER - L.H.
7	WD-320-0014	1		SHOE - skid
8	WD-900-5559	1		ROLLER - anti-scalp
9	WD-300-0038	1		SHAFT - roller
10	WD-300-0044	2	S	BRACKET - gauge wheel mount
11	WD-300-0043	2		MOUNT - gauge wheel
12	WD-330-0007	2		FORK
13	WD-200-0017	2	S	AXLE - wheel
14	WD-900-4004	2		WHEEL - gauge
	WD-900-4006	1		TIRE - 11 x 4.00 - 5
	WD-900-4005	1		RIM - 5"
	WD-900-3505	2	S	BEARING - wheel
15	WD-900-6133	2	S	BOLT - 1/2"-13 x 6-1/2"
16	WD-900-6096	4		BOLT - wing
17	WD-900-6092	4		NUT - gauge wheel handle
18	WD-900-2044	1	S	BREAKER - circuit, 10 amp
19	WD-900-5510	2		COLLAR - set
20	WD-900-3501	4	S	BEARING - 1"
21	WD-900-5615	1		PIN - "fas-tatch"
22	WD-900-5519	1		PIN - deck
23	WD-C29029	2		PIN - cotter, hair
24		4		SCREW - thumb 1/4"-20 x 1/2" (NSS. use 113-3 and 192-19)
25		1		SCREW - wing 1/4"-20 x 1" (NSS. use 113-3)
26	WD-113-3	4		BOLT - 1/4"-20 x 3/4"
27	WD-192-19	2		LOCKWASHER - 1/4"
28	WD-129-101	2		NUT - 1/4"-20
29	WD-131-71	2		NUT - 1/4"-20 lock
30	WD-113-1	2		BOLT - 1/4"-20 x 1"
31	WD-195-102	1		WASHER - 1/4"
32	WD-C37993	2		FITTING - grease
33	WD-C37756	2		SCREW - set 5/16"-18 x 1/2" square head
34	WD-900-6151	6		LOCKWASHER - 5/16"
35	WD-129-102	6		NUT - 5/16"-18
36	WD-192-23	2		LOCKWASHER - 1/2"
37	WD-129-105	2	S	NUT - 1/2"-13
38	WD-113-102	2		BOLT - 5/16"-18 x 3/4"
39	WD-111-202	2		BOLT - 5/16"-18 x 3/4" carriage
40	WD-182-528	2		SCREW - #10-32 x 1/2"
41	WD-900-6150	2		NUT - #10-32
42	WD-111-203	6		BOLT - 5/16"-18 x 1" carriage

133-018-190 FR-1800C (1993)
52" Mower Drive Model For W873 & W876 Mower Deck



Ref #	Part Number	Qty	S/P/F	Description
1	WD-321-0001	1		MOUNT - gear box
2	WD-311-0002	1		GUARD - belt (1800, 1800C)
2	WD-330-0030	1		GUARD - belt (2000)
3	WD-310-0006	1		ANGLE - gear box mount
4	WD-330-0012	1		TIGHTENER - belt
5	WD-300-0025	3	S	HOUSING - spindle
6	WD-300-0027	3	S	SPACER - spindle
7	WD-300-0026	3	S	SHAFT - spindle
8	WD-300-0033	1		SHAFT - spindle, long
9	WD-900-3506	3	S	BEARING - spindle
10	WD-900-5814	3	S	BLADE - mower
11	WD-900-2511	4	S	PULLEY - spindle
12	WD-900-2510	1		PULLEY - gear box output
13	WD-900-2525	1	S	PULLEY - gear box input (1800, 1800C)
13	WD-900-2543	1		PULLEY - gear box input (2000)
14	WD-900-2521	1	S	PULLEY - idler, large
15	WD-900-2522	1	S	PULLEY - idler, small
16	WD-900-3005B	1	S	BELT - deck
17	WD-900-3004	1	S	BELT - drive (1800)
17	WD-900-3023	2	S	BELT - drive (2000)
17	WD-C44241	1	S	BELT - drive (1800C)
18	WD-900-5842	1	S	GEAR BOX - angle drive (See "Gear Box (Curtis) illustration and parts list for repairs) (Curtis model)
18	WD-C42775	1	S	GEAR BOX - angle drive (See "Gear Box (Superior)" illustration and parts list for repairs.) (Superior model)
19	WD-900-6002	12	S	SPACER - washer
20	WD-900-6034	1		BOLT - 1/4"-20 x 4"
21	WD-900-6037	3		BOLT - 5/16"-24 x 3/4" lock
22	WD-300-0017	3	S	WASHER - 5/16" - 10 ga.
23	WD-900-5534	3	S	WASHER - blade
24	WD-900-6080	3	S	BOLT - 3/8"-24 x 1-1/4"
25	WD-300-0021	6	S	KEY - 3/16" x 1"
26	WD-300-0016	1	S	SPACER - idler pulley
27	WD-113-312	12		BOLT - 7/16"-14 x 1-1/4"
28	WD-192-22	12		LOCKWASHER - 7/16"
29	WD-129-104	12		NUT - 7/16"-14
30	WD-113-257	1		BOLT - 3/8"-16 x 2-1/2"
31	WD-129-103	1	S	NUT - 3/8"
32	WD-192-21	1	S	LOCKWASHER - 3/8"
33	WD-113-208	1		BOLT - 3/8"-16 x 1-1/4"
34	WD-131-71	1		NUT - 1/4"-20 lock
35	WD-111-371	1		BOLT - 3/8"-16 x 1" carriage
36	WD-113-103	4		BOLT - 5/16"-18 x 1"
37	WD-192-20	5		LOCKWASHER - 5/16"
38	WD-113-102	1		BOLT - 5/16"-18 x 3/4"
39	WD-129-102	1		NUT - 5/16"-18
40	WD-113-1	2		BOLT - 1/4"-20 x 1/2"
41	WD-192-19	2		LOCKWASHER - 1/4"

133-018-190 FR-1800C (1993)

Page 9 of 62

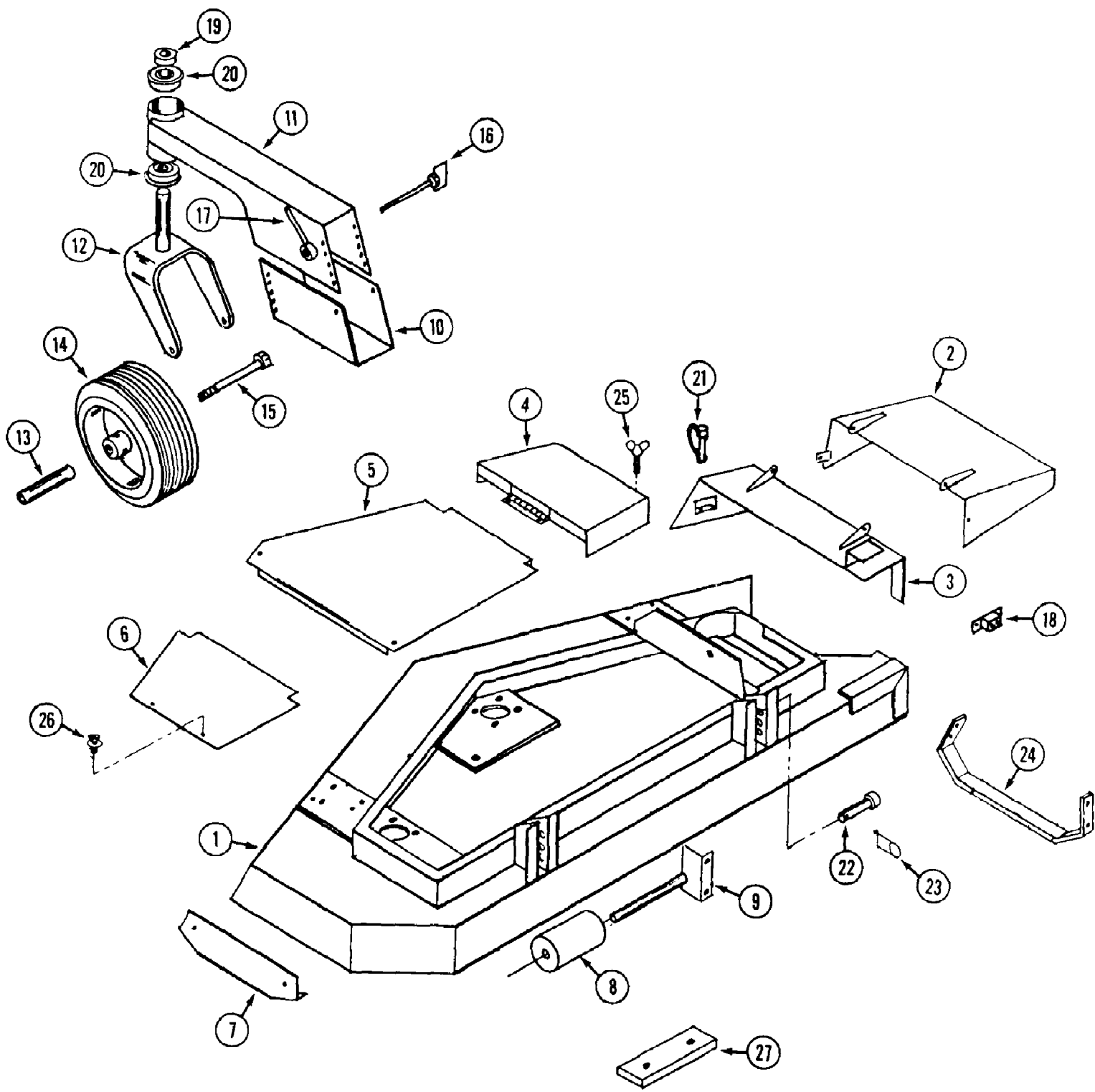
52" Mower Drive Model For W873 & W876 Mower Deck

Ref #	Part Number	Qty	S/P/F	Description
42	WD-600-0000	3	S	HOUSING ASSEMBLY - spindle (Includes ref. 5, 6, 9)
43	WD-219-20	3		FITTING - grease 1/4"-28

133-018-190 FR-1800C (1993)

Page 10 of 62

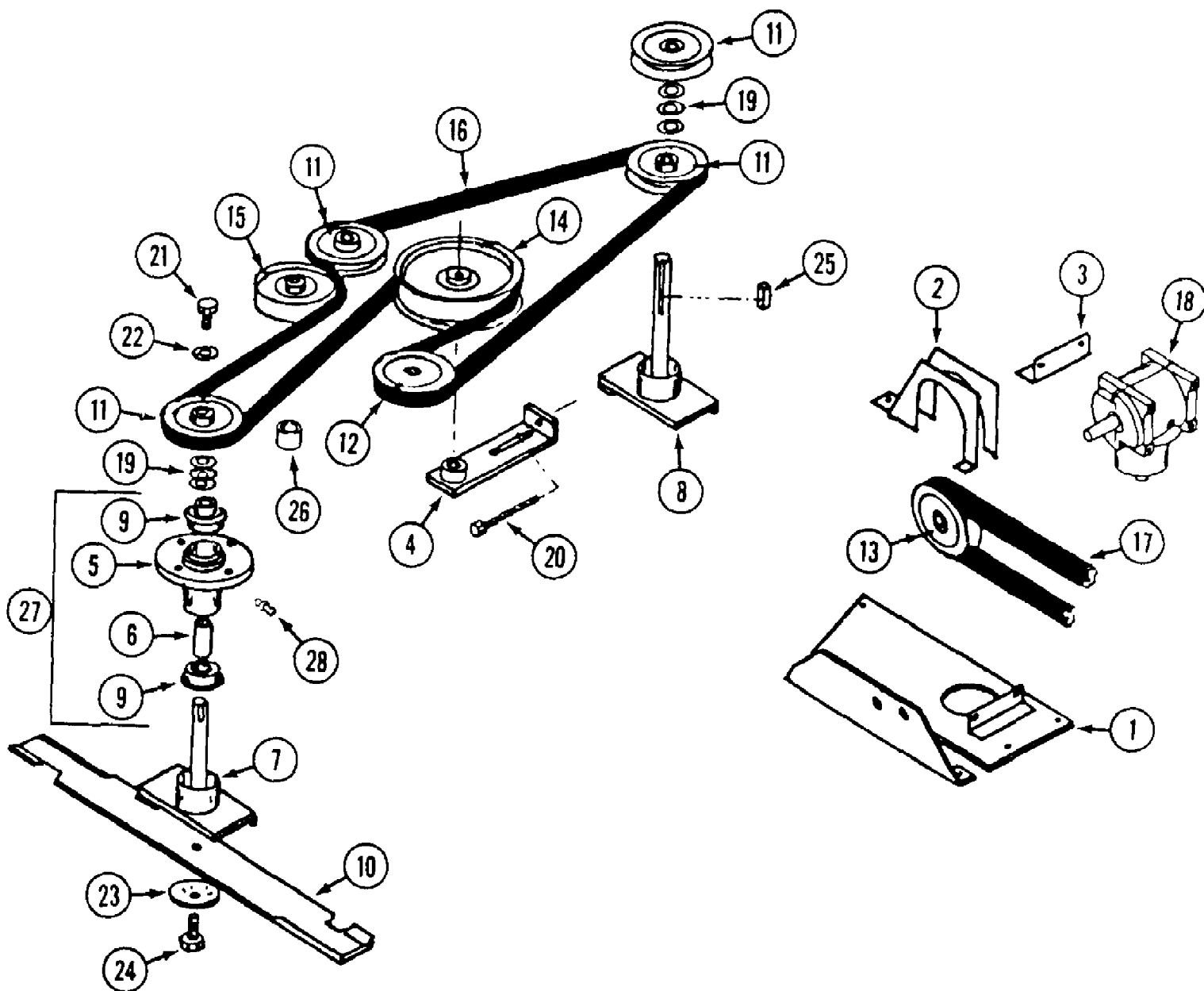
62" Mower Deck & Attaching Parts For W874 & W877 Mower Deck



62" Mower Deck & Attaching Parts For W874 & W877 Mower Deck

Ref #	Part Number	Qty	S/P/F	Description
1	WD-C44088	1	S	DECK - 62"
2	WD-330-0027	1		CHUTE - foot guard
3	WD-330-0028	1		MOUNT - foot guard
4	WD-330-0025	1		COVER - pulley
5	WD-330-0002	1		COVER - center
6	WD-330-0001	1		COVER - L.H.
7	WD-330-0008	1	S	SHOE - skid L.H.
8	WD-900-5559	1		ROLLER - anti-skid
9	WD-300-0038	1		SHAFT - roller
10	WD-300-0044	2	S	BRACKET - gauge wheel mount
11	WD-300-0043	2		MOUNT - gauge wheel
12	WD-330-0007	2		FORK - gauge wheel
13	WD-200-0017	2	S	AXLE - gauge wheel
14	WD-900-4004	2		WHEEL - gauge
	WD-900-4006	1		TIRE - 11 x 4.00 - 5
	WD-900-4005	1		RIM - 5"
	WD-900-3505	2	S	BEARING - wheel
15	WD-900-6133	2	S	BOLT - 1/2"-13 x 6-1/2"
16	WD-900-6096	4		BOLT - wing
17	WD-900-6092	4		NUT - gauge wheel handle
18	WD-900-2044	1	S	BREAKER - circuit - 10 amp
19	WD-900-5510	2		COLLAR - set 1"
20	WD-900-3501	4	S	BEARING - 1"
21	WD-900-5615	1		PIN - "fas-tatch"
22	WD-900-5519	2		PIN - deck
23	WD-C29029	2		PIN - cotter, hair
24	WD-330-0011	1	S	SHOE - skid R.H.
25		4		SCREW - thumb 1/4"-20 x 1/2" (NSS. use 113-3 and 192-19)
26		1		SCREW - wing 1/4"-20 x 1" (NSS. use 113-3)
27	WD-230-0010	3		WEIGHT - tail, 13 lb.

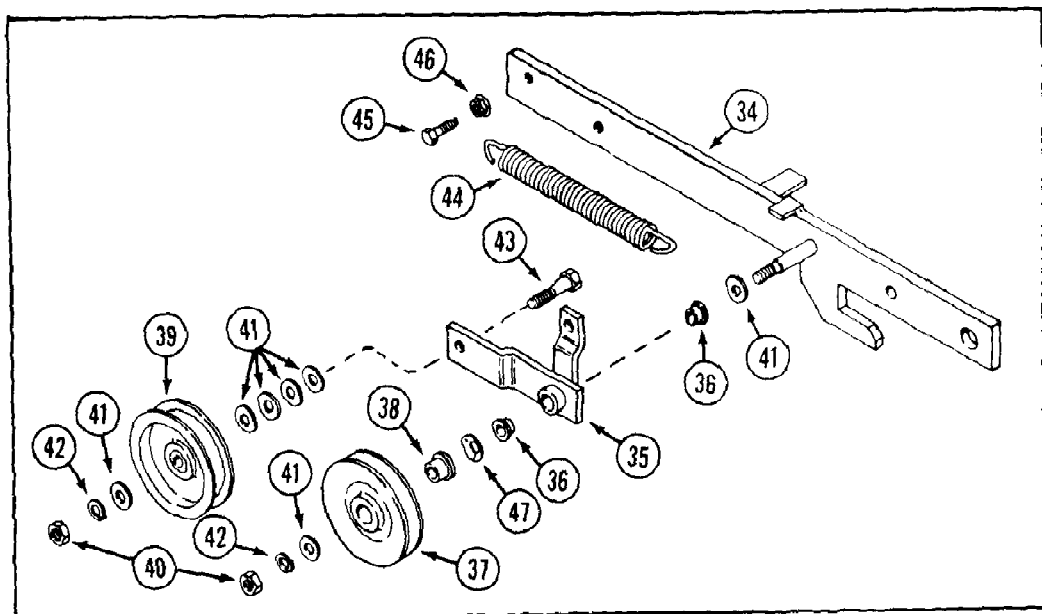
133-018-190 FR-1800C (1993)
62" Mower Drive For W874 & W877 Mower Deck



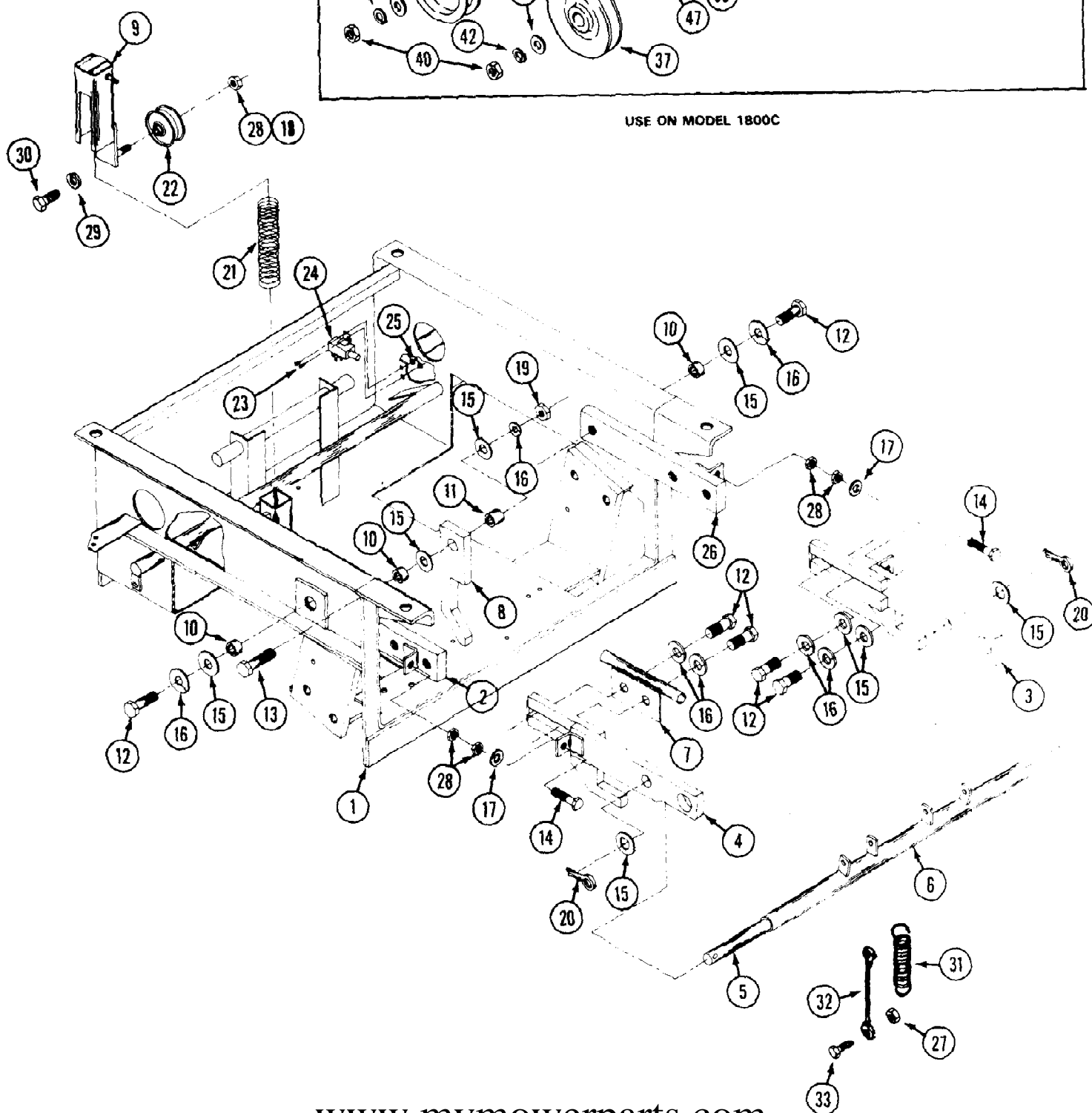
133-018-190 FR-1800C (1993)
62" Mower Drive For W874 & W877 Mower Deck

Page 13 of 62

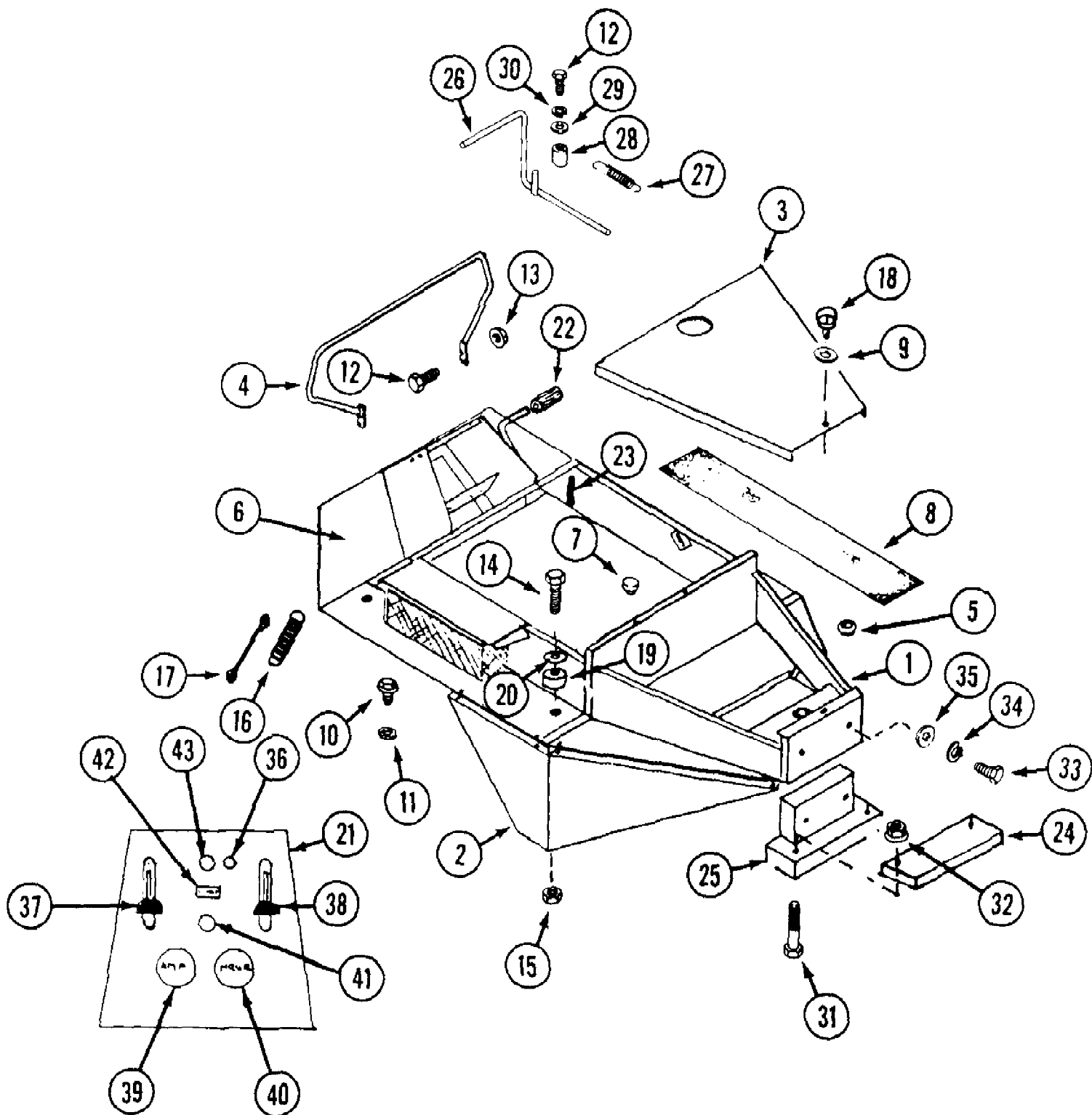
Ref #	Part Number	Qty	S/P/F	Description
1	WD-331-0004	1		MOUNT - gear box
2	WD-311-0002	1		GUARD - belt (1800, 1800C)
3	WD-310-0006	1		ANGLE - gear box mount
4	WD-330-0012	1		TIGHTENER - belt
5	WD-300-0031	3	S	HOUSING - spindle
6	WD-300-0034	3	S	SPACER - spindle
7	WD-300-0032	2	S	SHAFT - spindle, short
8	WD-300-0040	1	S	SHAFT - spindle, long
9	WD-900-3506	6	S	BEARING - spindle
10	WD-900-5730	3	S	BLADE
11	WD-900-2512	4		PULLEY - spindle
12	WD-900-2510	1		PULLEY - gear box output
13	WD-900-2525	1	S	PULLEY - gear box input (1800, 1800C)
13	WD-900-2543	1		PULLEY - gear box input (2000C)
14	WD-900-2521	1	S	PULLEY - idler, large
15	WD-900-2522	1	S	PULLEY - idler, small
16	WD-900-3008B	1	S	BELT - deck
17	WD-900-3004	1	S	BELT - drive (1800)
17	WD-900-3023	2	S	BELT - drive (2000C)
17	WD-C44241	1	S	BELT - drive (1800C)
18	WD-900-5842	1	S	GEAR BOX - angle drive (See "Gear Box (Curtis)" illustration and parts list for service) (Curtis model)
18	WD-C42775	1	S	GEAR BOX - angle drive (See "Gear Box (Superior)" illustration and parts list for service) (Superior model)
19	WD-900-6002	12	S	WASHER - spacer
20	WD-900-6034	1		BOLT - 1/4"-20 x 4"
21	WD-900-6073	3	S	BOLT - 5/16"-24 x 3/4"
22	WD-300-0017	3	S	WASHER - 5/16", 10 ga
23	WD-900-5534	3	S	WASHER - blade
24	WD-900-6080	3	S	BOLT - 3/8"-24 x 1-1/4"
25	WD-300-0021	6	S	KEY - 3/16" x 3/16" x 1"
26	WD-300-0016	1	S	SPACER - idler pulley
27	WD-600-0001	3	S	HOUSING ASSEMBLY - spindle (includes ref. 5, 6, 9)
28	WD-219-20	3		FITTING - grease 1/4"-28



USE ON MODEL 1800C

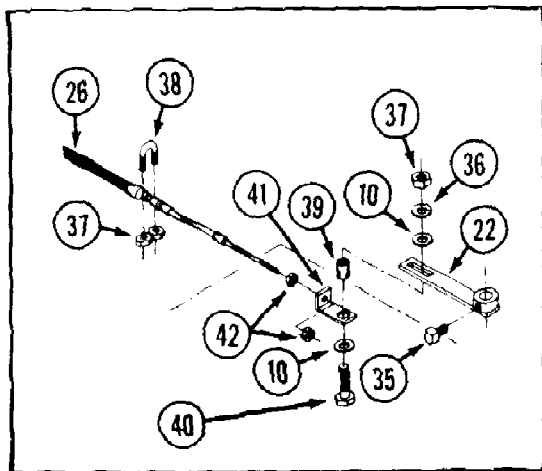


Ref #	Part Number	Qty	S/P/F	Description
1	WD-114-0000	1		BASE 5018. Shown
2	WD-301-0024RH	1		ARM - deck lift R.H. (1800)
3	WD-300-0023LH	1		ARM - front L.H (1800)
4	WD-300-0023RH	1		ARM - front R.H. (1800)
5	WD-300-0022	1		PIN - cross bar
6	WD-300-0014	1		BAR - cross
7	WD-300-0041	1		TUBE - wire
8	WD-111-0023	2		LOCK - forward nose down
9	WD-114-0003	1		TUBE - drive idler (1800)
9	WD-C44329	1		TUBE - drive idler (1800C)
10	WD-300-0013S	3	S	BUSHING - deck lift arm (3/8" long)
11	WD-300-0013	1	S	BUSHING - pivot (1/2" long)
12	WD-113-417	6		BOLT - 1/2"-13 x 1-1/4"
13	WD-113-441	1		BOLT - 1/2"-13 x 2-1/4"
14	WD-900-6088	2		BOLT - 3/8"-16 x 3"
15	WD-195-106	8		WASHER - 1/2"
16	WD-192-23	7		LOCKWASHER - 1/2"
17	WD-195-104	2		WASHER - 3/8"
18	WD-131-938	1		NUT - flange lock 3/8"-16
19	WD-129-105	1	S	NUT - 1/2"-13
20	WD-132-310	2		PIN - cotter 1/8" x 1"
21	WD-900-5580	1		SPRING - idler tension
22	WD-900-2553	1	S	PULLEY - idler 2-1/4" O.D.
23	WD-C37597	2		SCREW - machine #10-32 x 5/8"
24	WD-900-2029	1	S	SWITCH - safety
25	WD-900-6150	2		NUT - lock #10-32
26	WD-301-0024LH	1		ARM - deck lift L.H. (1800)
27	WD-131-71	4		NUT - lock 1/4"-20
28	WD-129-103	5	S	NUT - 3/8"-16
29	WD-192-21	1	S	LOCKWASHER - 3/8"
30	WD-113-257	1		BOLT - 3/8"-16 x 2-1/2"
31	WD-900-5516	2		SPRING - lift assist
32	WD-900-5518	2	S	CABLE - lift
33	WD-113-4	4		BOLT - 1/4"-20 x 1"
34	WD-C44249	1	F	ARM - deck L.H. 1800C
34	WD-C44250	1		ARM - deck R.H. (1800C)
35	WD-C44245	1		ARM - idler (1800C)
36	WD-C25229	2		BEARING - flange (1800C)
37	WD-C25370	1		PULLEY - "V" idler (1800C)
38	WD-C12264	1		BUSHING - pulley (1800C)
39	WD-C12251	1		PULLEY flat (1800C)
40	WD-129-103	2	S	NUT - 3/8"-16 (1800C)
41	WD-195-104	UAR		WASHER - 3/8" (1800C)
42	WD-192-21	2	S	LOCKWASHER - 3/8" (1800C)
43	WD-113-219	2		BOLT - 3/8"-16 x 2" (1800C)
44	WD-C44242	1		SPRING - extension (1800C)
45	WD-113-103	1		BOLT - 5/16"-18 x 1" (1800C)
46	WD-131-911	1	S	NUT - 5/16"-18 flange lock (1800C)
47	WD-C28263	1	S	WASHER - spring (1800C)

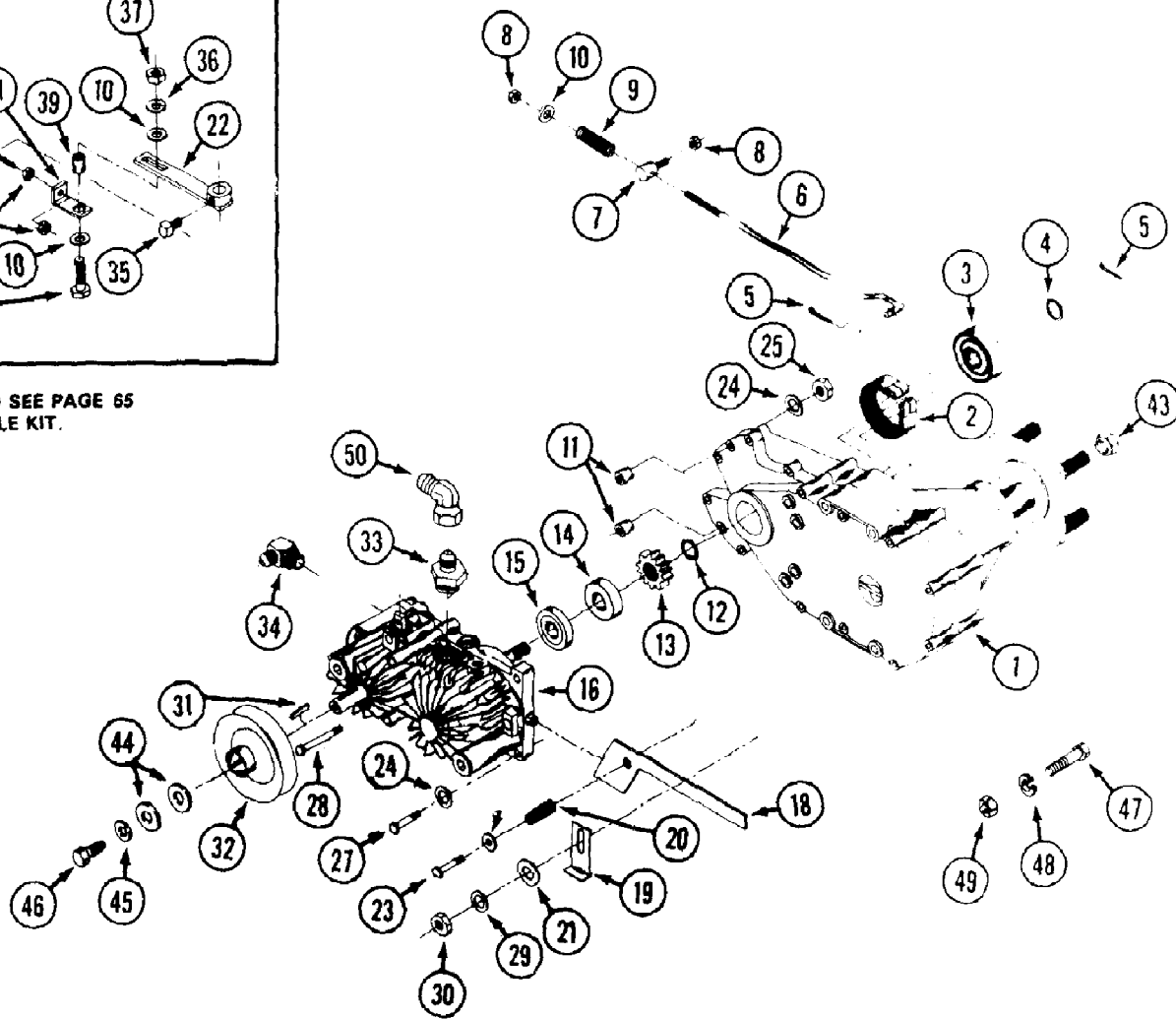
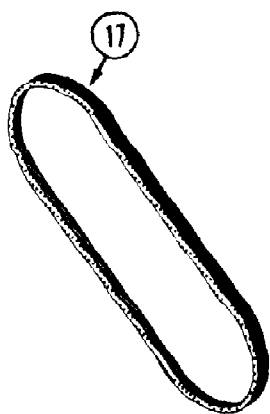


Ref #	Part Number	Qty	S/P/F	Description
1	WD-C44260	1		BODY (1800C)
1	WD-C42629	1		BODY (1800)
2	WD-201-0016	1		FENDER - L.H. (Shown)
2	WD-201-0017	1		FENDER - R.H.
3	WD-201-0009	1		BACK COVER
4	WD-C44568	1		GUARD RAIL
5	WD-900-3501	2	S	BEARING
6	WD-C43419	1		PAD - safety walk L.H. front
6	WD-C43420	1		PAD - safety walk R.H. front
7	WD-C37817	4		BUMPER - nylon
	WD-C44036	1		TRIM - tower (Not shown)
8	WD-C43421	1		PAD - safety walk R.H. side
9	WD-900-5812	1		GROMMET
10	WD-C34808	8		BOLT - 1/4"-20 x 3/4" tapping
11	WD-192-19	8		LOCKWASHER - 1/4"
12	WD-113-102	4		BOLT - 5/16"-18 x 3/4"
13	WD-131-911	4	S	NUT - 5/16"-18 flange lock
14	WD-113-425	4	S	BOLT - 1/2"-13 x 3"
15	WD-131-70	4	S	NUT - 1/2"-13 lock
16	WD-900-5516	2		DECK SPRING
17	WD-900-5518	2	S	DECK LIFT CABLE
18	WD-900-5522	1		DZUS FASTENER
19	WD-900-5509	8		RUBBER BODY MOUNT
20	WD-200-0015	4		BODY MOUNT WASHER
21	WD-201-0006	1	S	DASH BOARD
	WD-900-6152	4		SCREW - #12 x 1/2 Dash board
22	WD-900-5563	1	S	BRAKE PEDAL PAD
23	WD-900-5569	1	S	SPRING
24	WD-230-0010	1		TAIL WEIGHT - 13 lbs. Opt.
25	WD-230-0002	1		WEIGHT - tail
26	WD-201-0001	1		LEVER - brake lock
27	WD-900-5562	1		SPRING - return
28	WD-201-0002	1		TAB - pivot
29	WD-900-6152	1		WASHER - 5/16"
30	WD-900-6151	1		LOCKWASHER - 5/16"
31	WD-113-259	2		BOLT - 3/8"-16 x 4-1/2"
32	WD-900-3013	2		NUT - 3/8"-16 flange lock
33	WD-113-103	2		BOLT - 5/16"-18 x 1"
34	WD-900-6151	2		LOCKWASHER - 5/16"
35	WD-900-6152	2		WASHER - 5/16"
36		1		UNKNOWN
37		1		UNKNOWN
38		1		UNKNOWN
39		1		UNKNOWN
40		1		UNKNOWN
41		1		UNKNOWN
42		1		UNKNOWN
43		1		UNKNOWN

133-018-190 FR-1800C (1993)
Drive Assembly L.H.



EARLY 1800 - ALSO SEE PAGE 65
FOR STEERING CABLE KIT.

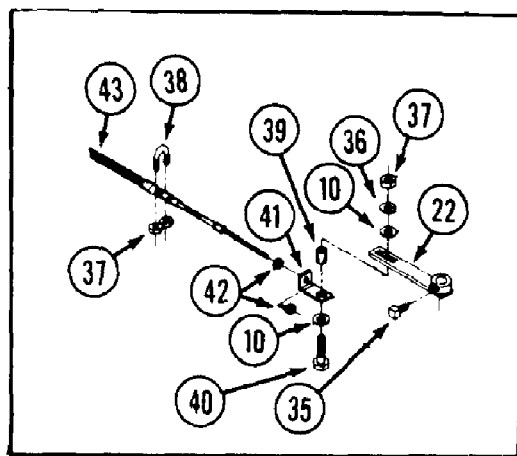


Ref #	Part Number	Qty	S/P/F	Description
1	WD-900-8134	1		TRANSMISSION - ZT
2	WD-900-7050	1		BAND - brake
3	WD-900-7051	1	S	DRUM - brake
4	WD-900-7052	1		RING - snap
5	WD-132-332	2		PIN - cotter 1/8" x 1"
6	WD-114-0004	1		ROD - brake
7	WD-111-0014	1		COLLAR - rod
8	WD-131-71	2		NUT - lock 1/4"-20
9	WD-900-5722	1		SPRING
10	WD-195-102	5		WASHER - 1/4"
11	WD-900-7045	2		SPACER
12	WD-900-7046	1	S	RING - snap
13	WD-900-7047	1		GEAR
14	WD-900-7048	1	S	BEARING
15	WD-900-7049	1		SPACER
16	WD-900-8133	1		PUMP - hydro L.H.
17	WD-900-3027	1	S	BELT - pump drive
18	WD-114-0005	1		LEVER - transmission dump
19	WD-114-0001	1		BRACKET - dump lever stop
20	WD-900-6501	1		SPRING - compression
21	WD-900-6052	1		WASHER - 3/8"
22	WD-114-0013	1		ARM - transmission
23	WD-900-6019	1		BOLT - dump lever
24	WD-192-20	4		LOCKWASHER - 5/16"
25	WD-900-6050	2		NUT - 5/16"-18
26		1		CABLE - steering 58" (NSS. See "Steering Cable Kit" illustration and parts list.)
27	WD-113-120	2		BOLT - 5/16"-18 x 1-3/4"
28	WD-C37751	2		BOLT - 5/16"-18 x 7-1/2"
29	WD-C37591	1		LOCKWASHER - 3/8"
30	WD-C37592	1	S	NUT - 3/8"-16
31	WD-900-6168	1		KEY - 5 x 5 x 25mm
32	WD-900-2552	1		PULLEY - 4" OD x 15mm ID (use C41928 set screw)
33	WD-218-5354	1		FITTING - male adapter
34	WD-900-8116	1		FITTING - male adaptor 90°
35	WD-C37756	1		SCREW - set 5/16"-18 x 1/2" square head (early production)
36	WD-129-19	1		LOCKWASHER - 1/4"
37	WD-121-101	3		NUT - 1/4"-20
38	WD-900-5503	1	S	CLAMP - cable
39	WD-200-0014	1	S	BUSHING - cable
40	WD-113-4	1		BOLT - 1/4"-20 x 1"
41	WD-200-0013	1	S	BRACKET - cable end
42	WD-900-6150	4		NUT - lock #10-32
	WD-900-4048	1		WHEEL ASSEMBLY Not shown
	WD-900-4042	1		TIRE - 18 x 9.50-8
	WD-900-4040	1		RIM - wheel
43	WD-900-6138	4		NUT - lug 1/2"-20
44	WD-195-2063	UAR		WASHER - .625" x 1"
45	WD-195-520	1		WASHER - .312" x .875"

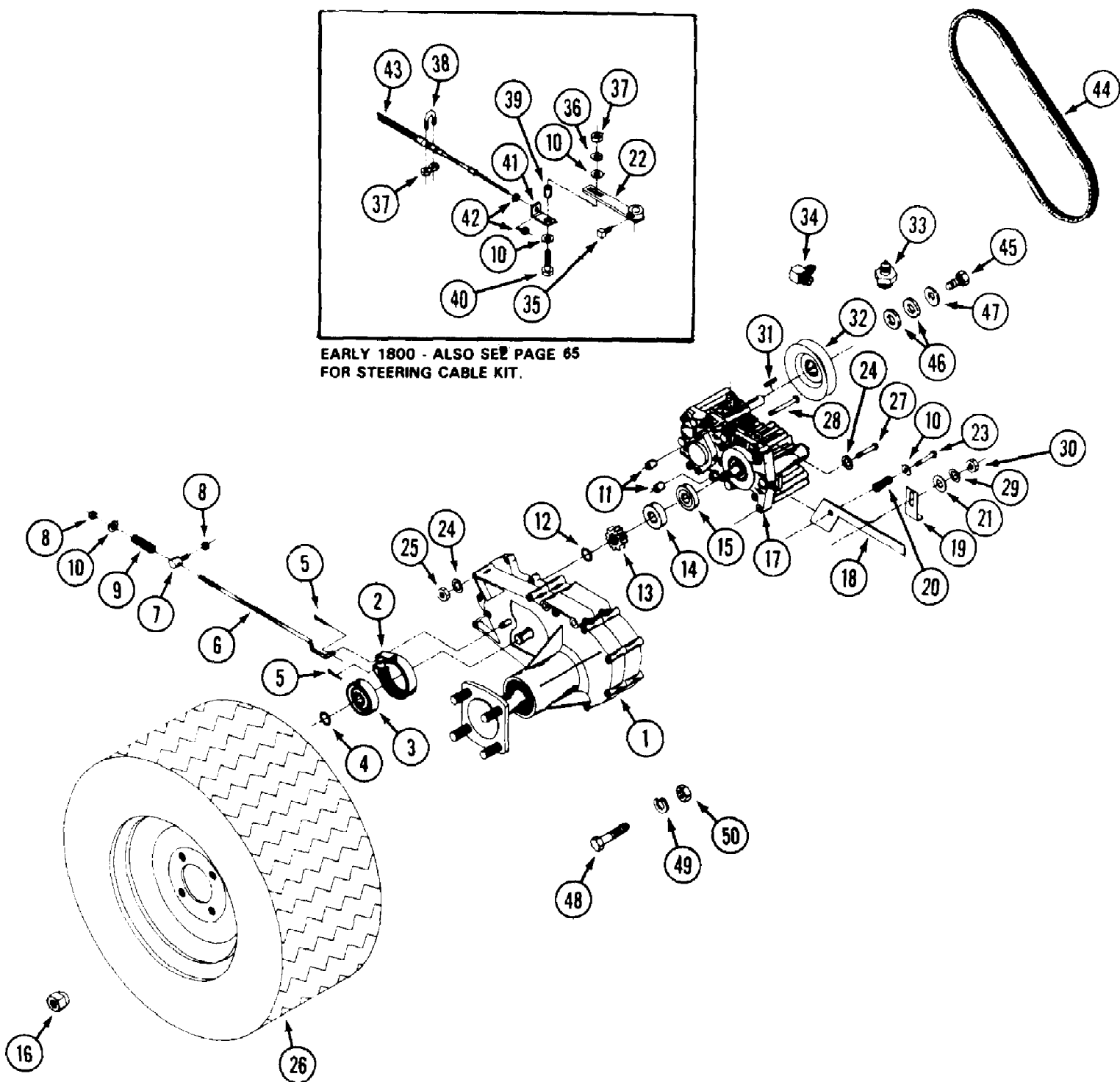
133-018-190 FR-1800C (1993)
Drive Assembly L.H.

Page 20 of 62

Ref #	Part Number	Qty	S/P/F	Description
46	WD-C37200	1		BOLT - M6-1.0 x 12 mm flange
47	WD-113-203	1		BOLT - 3/8"-16 x 3-1/2" mounting
47	WD-113-267	7		BOLT - 3/8"-16 x 4" mounting
48	WD-192-21	8	S	LOCKWASHER - 3/8"
49	WD-129-103	8	S	NUT - 3/8"-16
50	WD-900-8121	1		FITTING - 90° male to female



EARLY 1800 - ALSO SEE PAGE 65
FOR STEERING CABLE KIT.

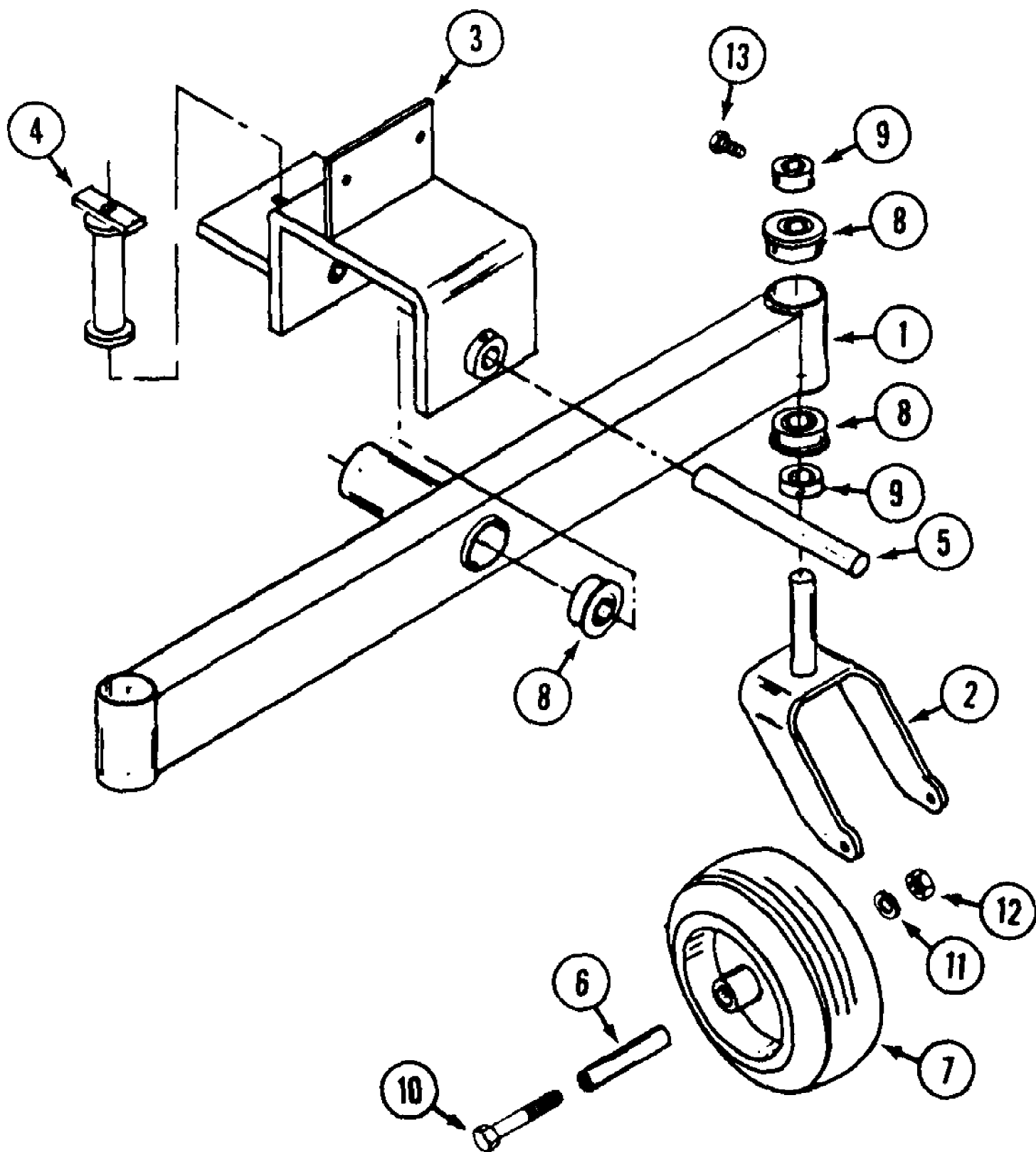


Ref #	Part Number	Qty	S/P/F	Description
1	WD-900-8134	1		TRANSMISSION - ZT
2	WD-900-7050	1		BAND - brake
3	WD-900-7051	1	S	DRUM - brake
4	WD-900-7052	1		RING - snap
5	WD-132-332	2		PIN - cotter 1/8" x 1"
6	WD-114-0004	1		ROD - brake
7	WD-111-0014	1		COLLAR - brake rod
8	WD-131-71	2		NUT - lock 1/4"-20
9	WD-900-5722	1		SPRING
10	WD-195-102	5		WASHER - 1/4"
11	WD-900-7045	2		SPACER
12	WD-900-7046	1	S	RING - snap
13	WD-900-7047	1		GEAR
14	WD-900-7048	1	S	BEARING
15	WD-900-7049	1		SPACER
16	WD-900-6138	4		NUT - lug 1/2"-20
17	WD-900-8132	1		PUMP - hydro R.H.
18	WD-114-0005	1		LEVER - transmission dump
19	WD-114-0001	1		BRACKET - dump lever stop
20	WD-900-6501	1		SPRING - compression
21	WD-195-103	1		WASHER - 3/8"
22	WD-114-0013	1		ARM - transmission
23	WD-900-6019	1		BOLT - dump valve
24	WD-192-20	4		LOCKWASHER - 5/16"
25	WD-129-102	2		NUT - 5/16"-18
26	WD-900-4048	1		WHEEL ASSEMBLY
	WD-900-4042	1		TIRE - 18 x 9.50 - 8
	WD-900-4040	1		RIM - wheel
27	WD-113-120	2		BOLT - 5/16"-18 x 1-3/4"
28	WD-C37751	2		BOLT - 5/16"-18 x 7-1/2"
29	WD-C37591	1		LOCKWASHER - 3/8"
30	WD-C37592	1	S	NUT - 3/8"-16
31	WD-900-6168	1		KEY - 5 x 5 x 25mm
32	WD-900-2552	1		PULLEY - 4" OD x 15 mm ID (Use C41928 set screw)
33	WD-900-8168	1		ADAPTER
34	WD-900-8116	1		ADAPTER - 90°
35	WD-C37756	1		SCREW - set 5/16"-18 x 1/2" square head (Early production)
36	WD-C37757	1		LOCKWASHER - 1/4"
37	WD-131-1102	3		NUT - 1/4"-20
38	WD-900-5503	1	S	CLAMP - cable
39	WD-200-0014	1	S	BUSHING - cable
40	WD-113-4	1		BOLT - 1/4"-20 x 1"
41	WD-200-0013	1	S	BRACKET - cable end
42	WD-900-6150	4		NUT - lock #10-32
43		1		CABLE - steering 58" (NSS. See "Steering Cable Kit" illustration and parts list.)
44	WD-900-3027	1	S	BELT - pump drive
45	WD-C37200	1		BOLT - M6-1.0 x 12m flange
46	WD-195-2063	1		WASHER - 625" x 1"

133-018-190 FR-1800C (1993)
Drive Assembly R.H.

Page 23 of 62

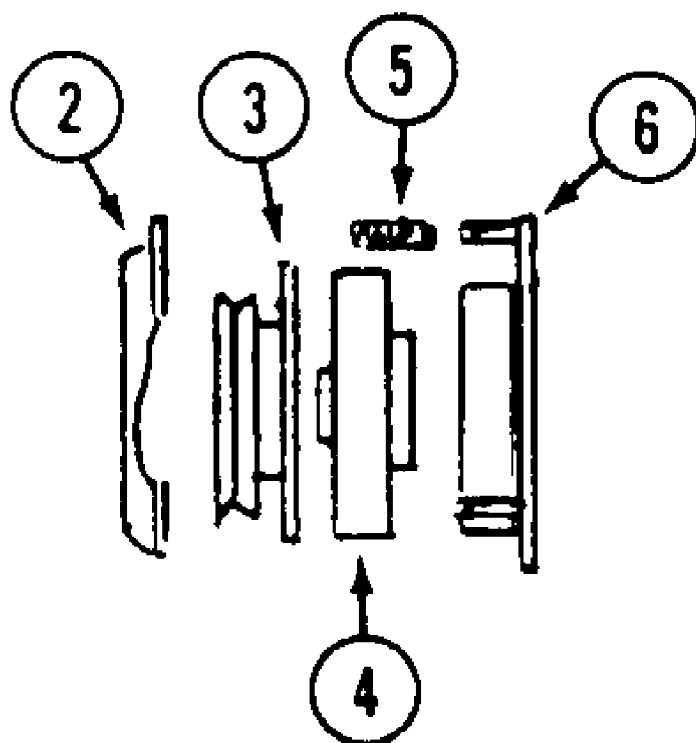
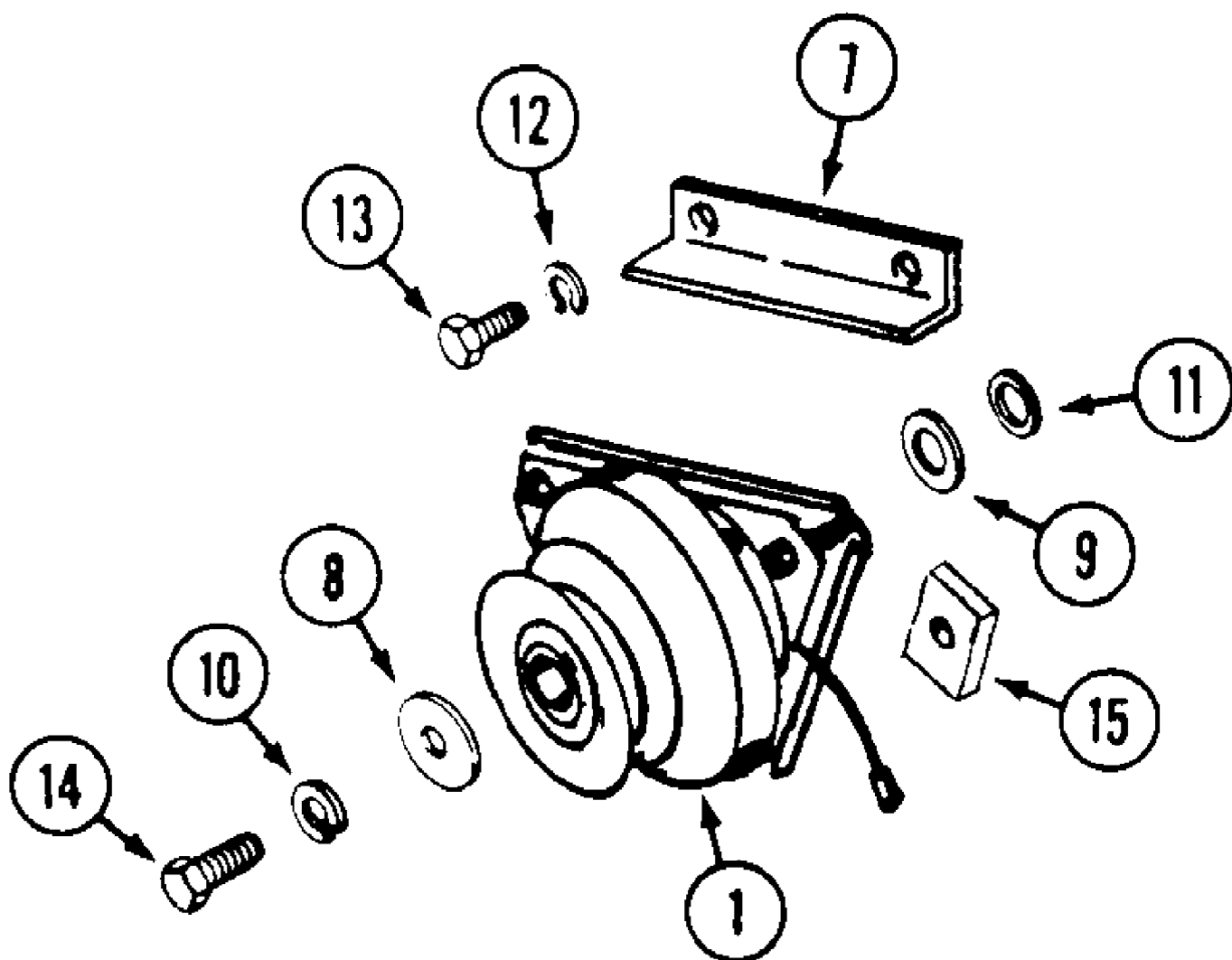
Ref #	Part Number	Qty	S/P/F	Description
47	WD-195-520	1		WASHER - .312" x .875"
48	WD-113-203	1		BOLT - 3/8"-16 x 3-1/2" mounting
48	WD-113-267	7		BOLT - 3/8"-16 x 4" mounting
49	WD-192-21	8	S	LOCKWASHER - 3/8"
50	WD-129-103	8	S	NUT - 3/8"-16



133-018-190 FR-1800C (1993)
Dual Tail Wheel

Page 25 of 62

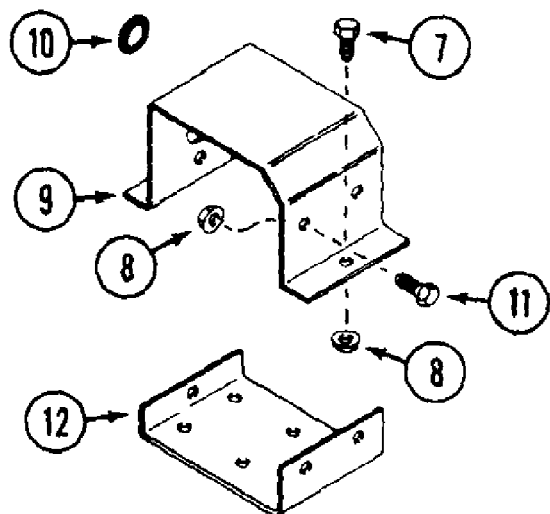
Ref #	Part Number	Qty	S/P/F	Description
1	WD-230-0004	1		AXLE - dual wheel
2	WD-230-0007	2		FORK - tail wheel
3	WD-230-0005	1		BRACKET - mounting
4	WD-230-0006	1		TUBE - block
5	WD-230-0008	1		PIVOT - axle
6	WD-200-0017	2	S	AXLE - wheel
7	WD-900-4022	2	S	WHEEL ASSEMBLY
	WD-900-3505	2	S	BEARING - wheel
	WD-900-4047	2		TIRE - 13 x 5.00 - 6
	WD-900-4050	2		RIM
8	WD-900-3501	6	S	BEARING - 1"
9	WD-900-5510	4		COLLAR - set 1"
10	WD-900-6133	2	S	BOLT - 1/2"-13 x 6-1/2"
11	WD-192-23	2		LOCKWASHER - 1/2"
12	WD-129-105	2	S	NUT - 1/2"-13
13	WD-C37756	4		SCREW - set 5/16"-18 x 1/2" square head
	WD-219-92	UAR		FITTING - grease 90° 1/4" - 28 self tap (castor pivot)



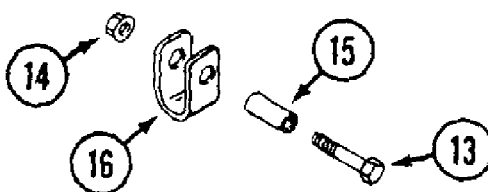
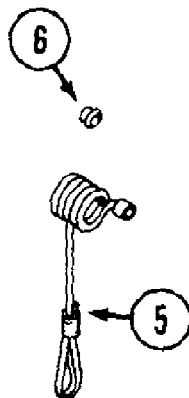
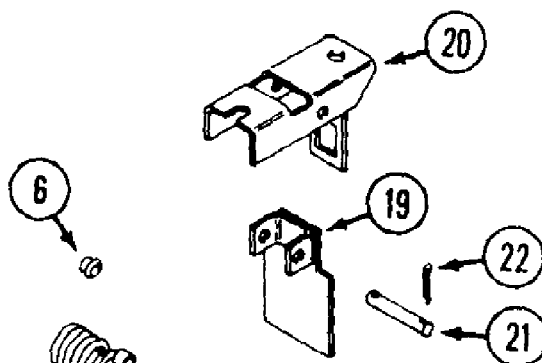
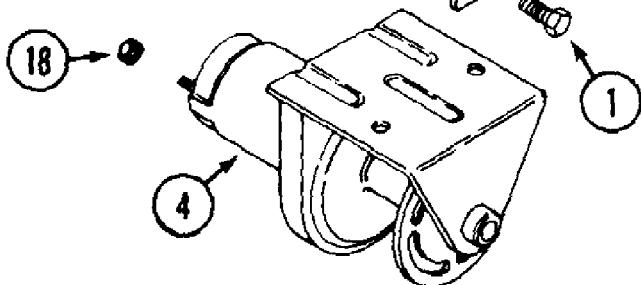
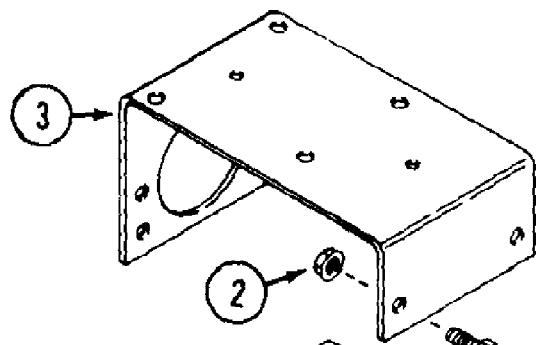
133-018-190 FR-1800C (1993)
Electric Clutch (PTO)

Page 27 of 62

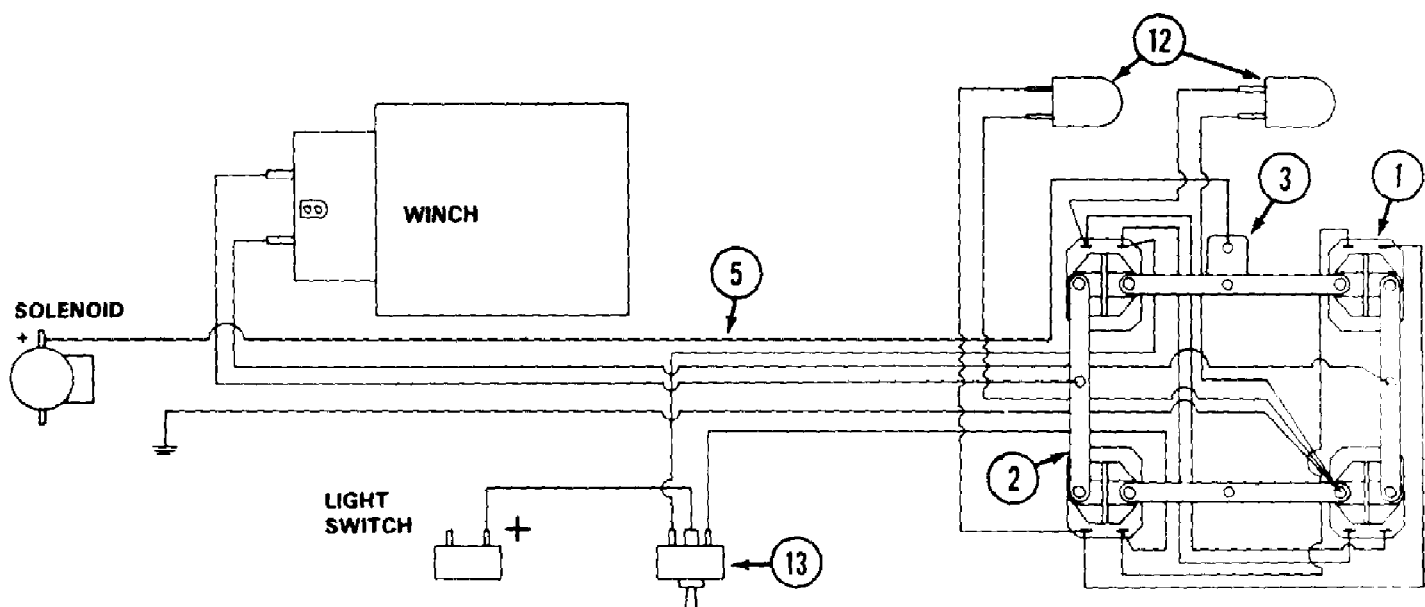
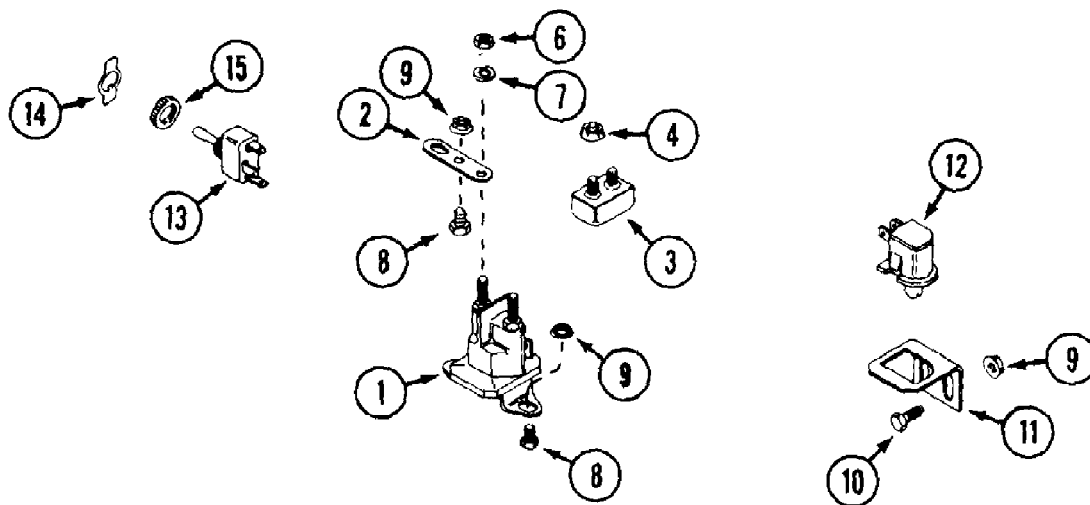
Ref #	Part Number	Qty	S/P/F	Description
1	WD-900-5581	1	S	CLUTCH ASSEMBLY
2	WD-900-5582	1		BRAKE - clutch
3	WD-900-5583	1		ARMATURE - clutch
4	WD-900-5584	1	S	ROTOR - clutch
5	WD-900-5586	1		KIT - spring and nut (3 each)
6	WD-900-5585	1	S	COIL - clutch
7	WD-113-0010	1	S	BRACKET - clutch stop (Current production)
8	WD-C31615	1		WASHER - retaining
9	WD-900-6000	1		WASHER - 1" (Early production)
10	WD-192-21	1	S	LOCKWASHER - 3/8"
11	WD-C31614	1		WASHER - 1-1/8"
12	WD-192-22	2		LOCKWASHER - 7/16"
13	WD-113-335	2		BOLT - 7/16"-14 x 3/4"
14	WD-114-203	1	S	BOLT - 3/8"-24 x 1-1/2"
15	WD-113-0010	2	S	BRACKET - clutch stop (Early production)



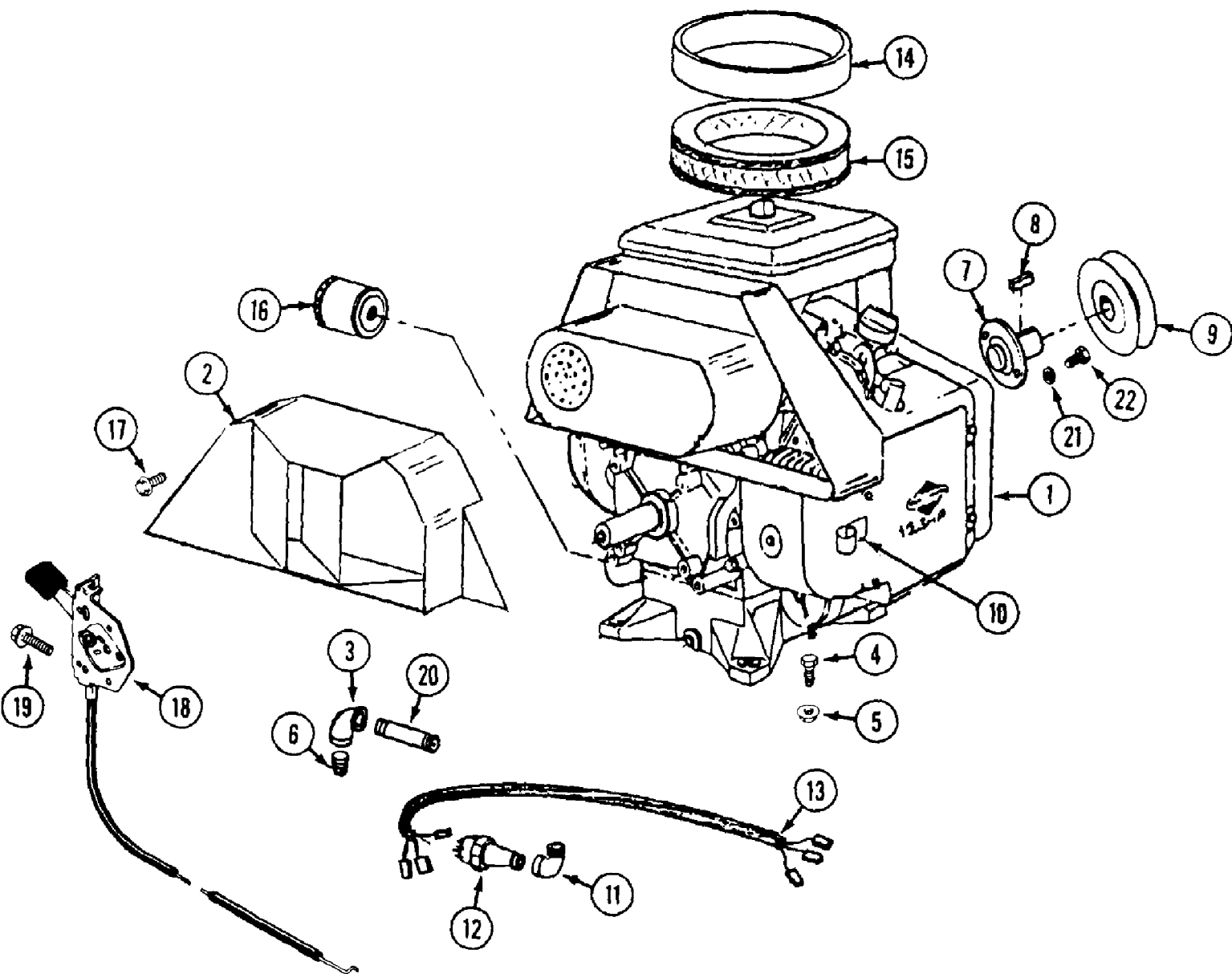
17 Power Lift



Ref #	Part Number	Qty	S/P/F	Description
1	WD-113-207	6	S	BOLT - 3/8"-16 x 1"
1	WD-C44489	2		SCREW - 3/8"-16 x 1" socket head
2	WD-131-938	8		NUT - 3/8"-16 flange lock
3	WD-C43967	1		MOUNT - winch
4	WD-C43958	1		WINCH - deck lift
5	WD-C43375	1		CABLE
6	WD-C43992	1		PIN - cable keeper
7	WD-113-3	2		BOLT - 1/4"-20 x 3/4"
8	WD-131-934	5		NUT - 1/4"-20 flange lock
9	WD-C43962	1		COVER - solenoid
10	WD-C43964	1		GROMMET - 1" x 7/8"
11	WD-113-1	3		BOLT - 1/4"-20 x 1/2"
12	WD-C43963	1		MOUNT - solenoid
13	WD-113-219	1		BOLT - 3/8"-16 x 2"
14	WD-131-1352	1		NUT - 3/8"-16 lock
15	WD-C43961	1		SPACER
16	WD-C43960	1		STRAP - lift
17	WD-C43412	1		DECAL - "Power Lift"
18	WD-900-6150	2		NUT - #10-32
19	WD-C44361	1		ARM - trip
20	WD-C44364	1		MOUNT - trip arm
21	WD-C44367	1		PIN - pivot
22	WD-132-6	2		PIN - cotter 1/16" x 5/8"



Ref #	Part Number	Qty	S/P/F	Description
1	WD-C33024	4	S	SOLENOID - 12V
2	WD-C43966	4		STRAP
3	WD-C43983	1		BREAKER - 40 amp, 12V
4	WD-900-6150	2		NUT - #10-32
5	WD-C43969	1		HARNESS - wire
6	WD-129-101	8		NUT - 1/4"-20
7	WD-192-19	8		LOCKWASHER - 1/4"
8	WD-113-1	8		BOLT - 1/4"-20 x 1/2"
9	WD-131-934	10		NUT - 1/4"-20 flange
10	WD-113-3	2		BOLT - 1/4"-20 x 3/4"
11	WD-C43965	2		BRACKET - switch
12	WD-C33744	2		SWITCH - limit
13	WD-C43985	1		SWITCH - lift
14	WD-C44495	1		DECAL - switch identification
15	WD-C44471	1		NUT - 15/32"-32, switch



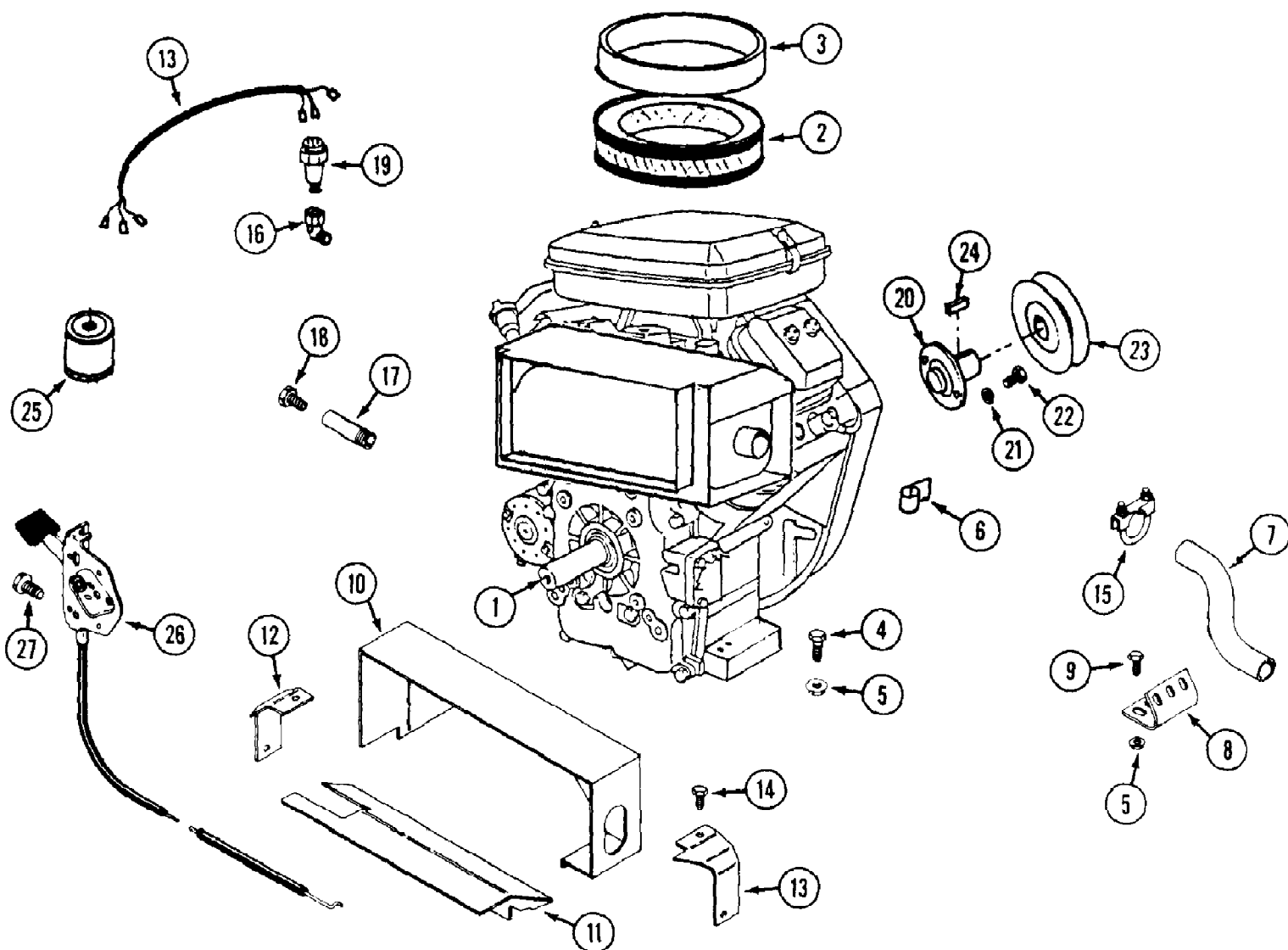
Engine and Attaching Parts - Briggs and Stratton (I C Model)

Ref #	Part Number	Qty	S/P/F	Description
1	WD-C41674	1	F	ENGINE - Briggs and Stratton For model 422447, Spec. No. 1277 (18 hp)
2	WD-111-0001	1		DUCT - air
3	WD-900-5720	1		ELBOW - 3/8"
4	WD-113-104	4		BOLT - 5/16"-18 x 1-1/4"
5	WD-131-911	4	S	NUT - 5/16"-18
6	WD-900-8024	1		PLUG - pipe 3/8"
7	WD-100-0013	1	S	SHAFT - stub
8	WD-100-0014	1	S	KEY - 1/4" x 1/4" x 1"
9	WD-900-2503	1	S	PULLEY - drive (use 83-55 set screw)
10	WD-100-0021	2		RETAINER - starter cable
11	WD-221-411	1		ELBOW - street 1/8"
12	WD-900-5017	1	S	UNIT - oil sending
13	WD-900-2067	1		HARNESS - wire
14	WD-900-5008	1	S	PRECLEANER
15	WD-900-5005	1	S	FILTER - air
16	WD-900-5022	1	S	FILTER - oil
17	WD-121-21	7		BOLT - 1/4"-20 flange lock
18	WD-900-5508	1		CABLE - choke
18	WD-900-5605	1	S	CABLE - throttle
19	WD-C39403	4		SCREW - #12 x 1/2"
20	WD-900-5721	1		NIPPLE - 3/8"
21	WD-192-21	2	S	LOCKWASHER
22	WD-113-207	2	S	BOLT - 3/8"-16 x 1"

133-018-190 FR-1800C (1993)

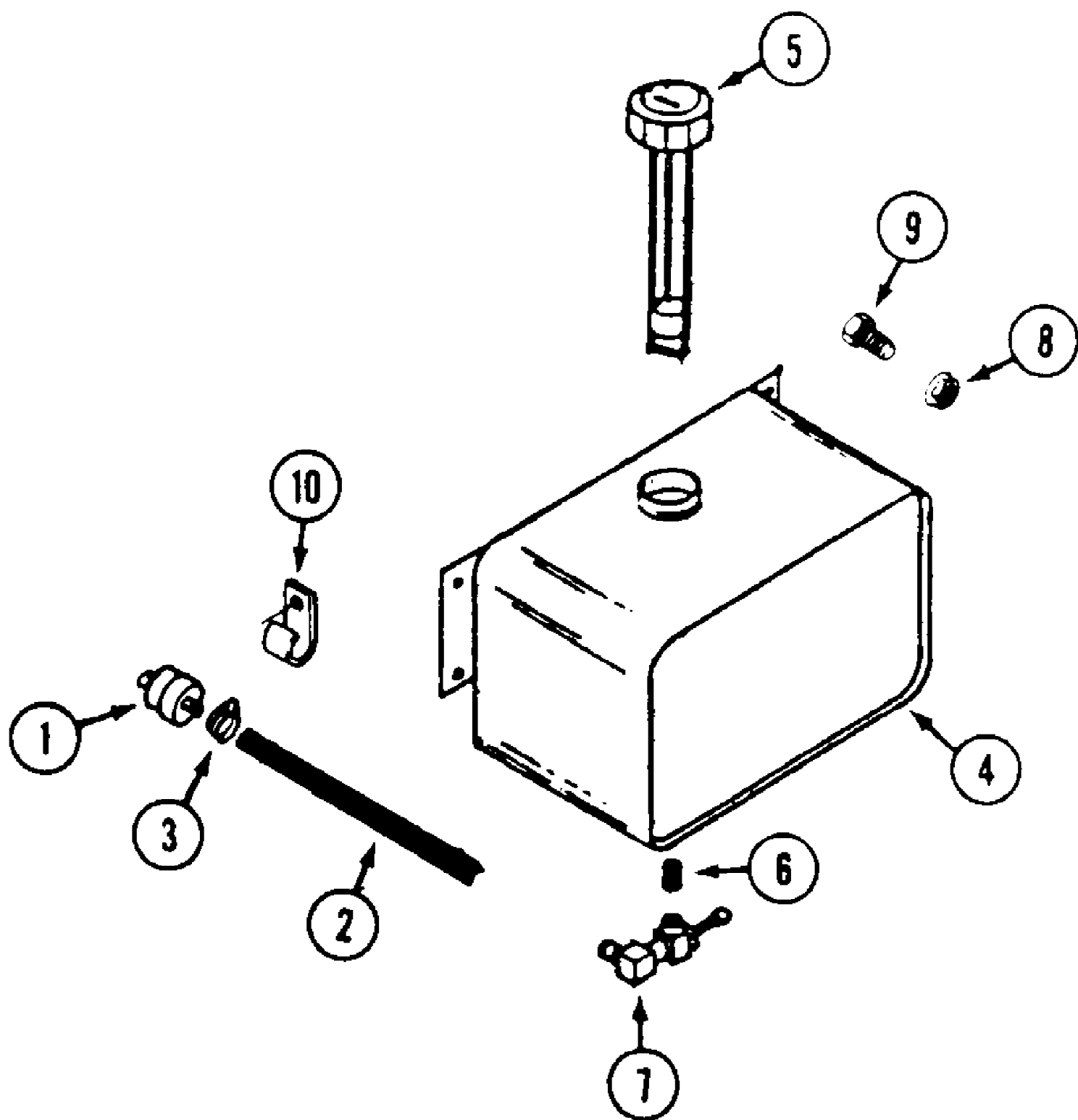
Page 34 of 62

Engine and Attaching Parts - Briggs and Stratton Vanguard Model



Engine and Attaching Parts - Briggs and Stratton Vanguard Model

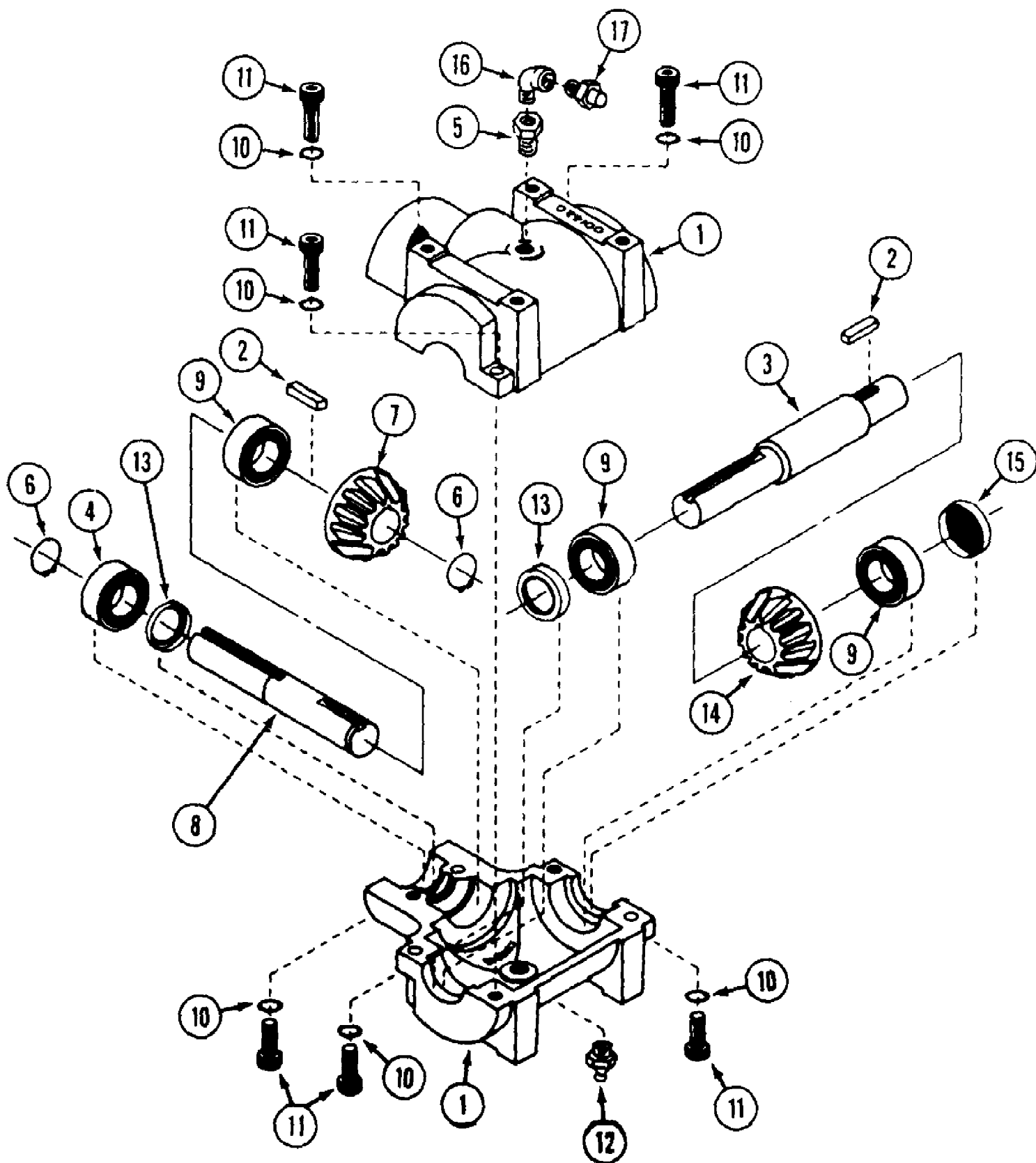
Ref #	Part Number	Qty	S/P/F	Description
1	WD-C43409	1	F	ENGINE - Briggs & Stratton For model 350447, type 0124 (18 hp)
2	WD-900-5005	1	S	ELEMENT - air cleaner
3	WD-900-5008	1	S	PRE-CLEANER
4	WD-113-104	4		BOLT - 5/16"-18 x 1-1/4"
5	WD-131-911	5	S	NUT - 5/16"-18 flange lock
6	WD-C32455	2		CLIP - "J"
7	WD-C44244	1		PIPE - exhaust
8	WD-C44243	1		BRACKET - exhaust pipe
9	WD-113-103	1		BOLT - 5/16"-18 x 1"
10	WD-C44259	1		DUCT - muffler, upper
11	WD-C44256	1		DUCT - bottom
12	WD-C44254	1		SUPPORT - duct front
13	WD-C44255	1		SUPPORT - duct rear
14	WD-C37200	3		SCREW - M6 x 10
15	WD-C28294	2		CLAMP - exhaust
16	WD-217-1085	1		FITTING - street elbow, 1/4" NPT 45°
17	WD-C33949	1		NIPPLE - pipe 3.5"
18	WD-218-5154	1		PLUG - 1/2"-20
19	WD-900-5017	1	S	UNIT - oil sending
20	WD-100-0013	1	S	SHAFT - stub
21	WD-192-21	2	S	LOCKWASHER - 3/8"
22	WD-113-207	2	S	BOLT - 3/8"-16 x 1"
23	WD-900-2503	1	S	PULLEY - engine (use 83-55 set screw)
24	WD-100-0014	1	S	KEY - 1/4" x 1/4" x 1"
25	WD-C34374	1	S	FILTER - oil
26	WD-900-5508	1		CABLE - choke
26	WD-900-5605	1	S	CABLE - throttle
27	WD-900-6152	4		SCREW - #12 x 1/2"



133-018-190 FR-1800C (1993)
Fuel System

Page 37 of 62

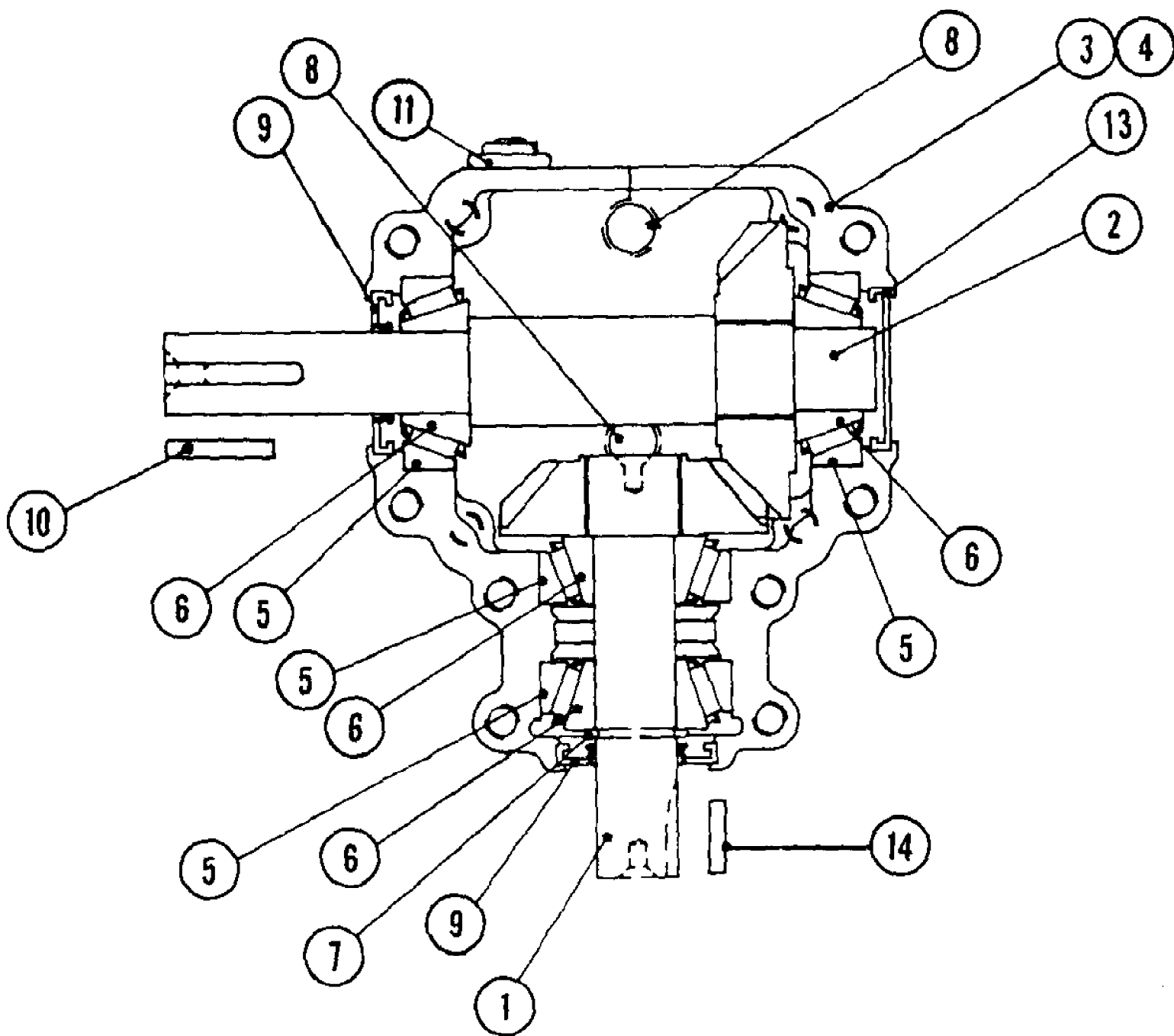
Ref #	Part Number	Qty	S/P/F	Description
1	WD-900-5514	1	S	FILTER - fuel
2	WD-C44027	1		HOSE - fuel (Cut to length)
3	WD-214-103	4		CLAMP - hose
4	WD-900-5533	1		TANK - fuel
5	WD-C44290	1	/P	CAP - fuel tank (With gauge)
6	WD-900-5706	1		NIPPLE - pipe 1/8"
7	WD-900-5513	1		VALVE - shut off
8	WD-131-934	4		NUT - 1/4"-20 flange lock
9	WD-113-1	1		BOLT - 1/4"-20 x 1/2"
9	WD-113-3	3		BOLT - 1/4"-20 x 3/4"
10	WD-C32455	1		CLIP - "J" fuel line



133-018-190 FR-1800C (1993)
Gear Box (Curtis)

Page 39 of 62

Ref #	Part Number	Qty	S/P/F	Description
	WD-900-5842	1	S	GEAR BOX
1	WD-900-7036	2		HOUSING - half
2	WD-900-7001	2	S	KEY - 3/16" x 3/16" x 1"
3	WD-900-7037	1		SHAFT - input
4	WD-900-7008	1	S	BEARING - ball
5	WD-15001	1		BUSHING - pipe 1/4" x 1/8"
6	WD-900-7005	2		RING - retaining
7	WD-900-7038	1		GEAR - output shaft
8	WD-900-7044	1	S	SHAFT - output
9	WD-900-7041	3	S	BEARING - ball
10	WD-900-7009	6		LOCKWASHER
11	WD-900-7010	6		CAP SCREW - allen head
12	WD-900-7053	1	S	FITTING - grease 1/4" NPT
13	WD-900-7042	2	S	SEAL - shaft
14	WD-900-7040	1		GEAR - input shaft
15	WD-900-7043	1	S	PLUG - expansion
16	WD-900-5020	1		ELBOW - street 1/8" x 90°
17	WD-900-7004	1	S	VALVE - relief
	WD-999-2010	1		GREASE - synthetic, cartridge

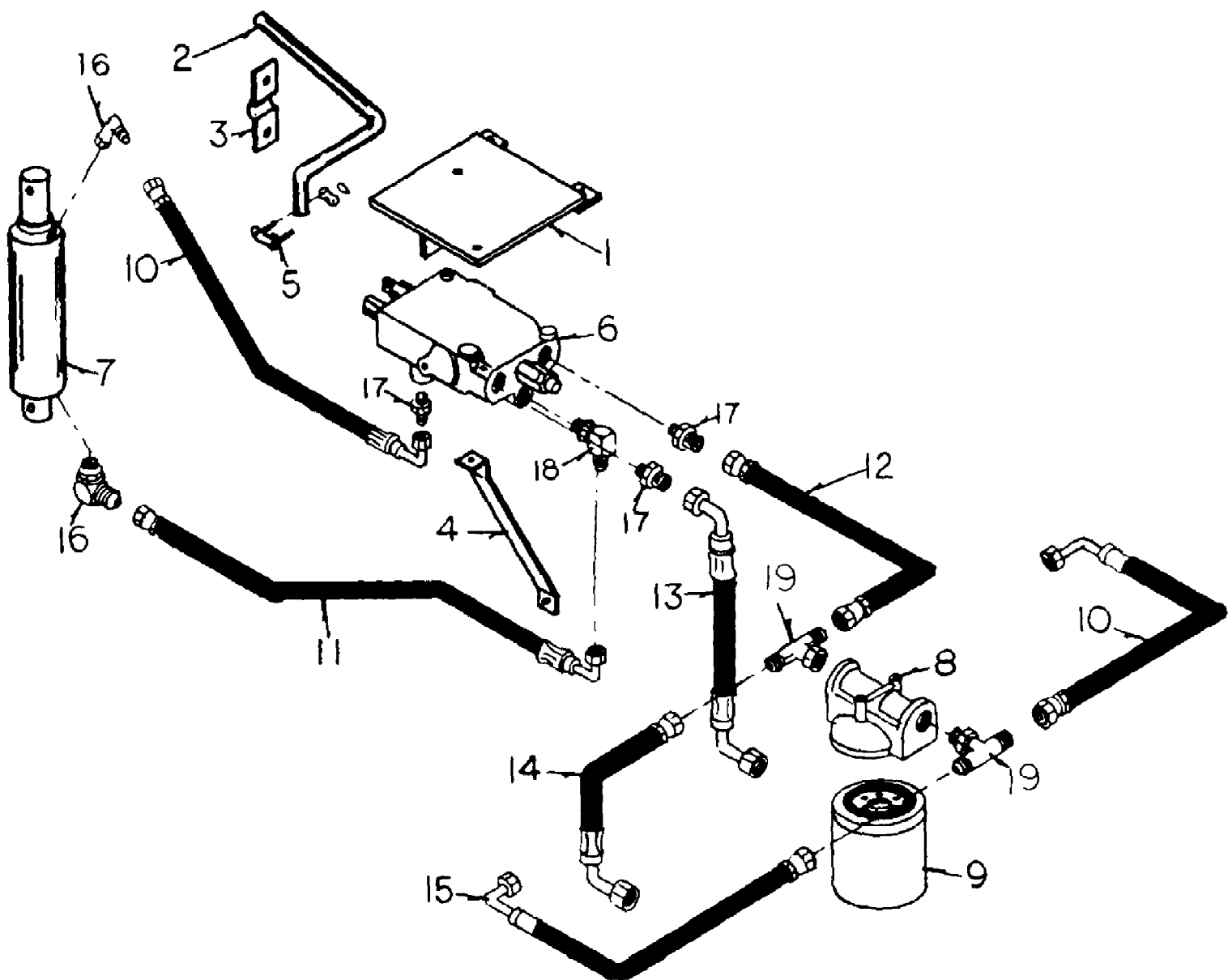


133-018-190 FR-1800C (1993)
Gear Box (Superior)

Page 41 of 62

Ref #	Part Number	Qty	S/P/F	Description
1	WD-C42924	1		SHAFT - pinion, with gear
2	WD-C42923	1		SHAFT - cross, with gear
3	WD-C42917	1		HOUSING - with tapped holes
4	WD-C42927	1		HOUSING - with thru holes (Not shown)
5	WD-C42918	4		CUP - bearing
6	WD-C42921	4		CONE - bearing
7	WD-C42919	1		RING - retaining
8	WD-C42920	3		PLUG - pipe 1/4"
9	WD-C42922	2		SEAL - shaft
10	WD-300-0021	1	S	KEY - 3/16" x 1" input shaft
11	WD-C42928	1		PIPE - vent
?12	WD-C42926	8		BOLT - 5/16" x 1" socket head (Not shown)
13	WD-C42925	1		CAP - end
14	WD-C28215	1		KEY - 3/16" x 5/8" output shaft

133-018-190 FR-1800C (1993)
Hydraulic Lift Assembly (Dual Acting Lift Cylinder)

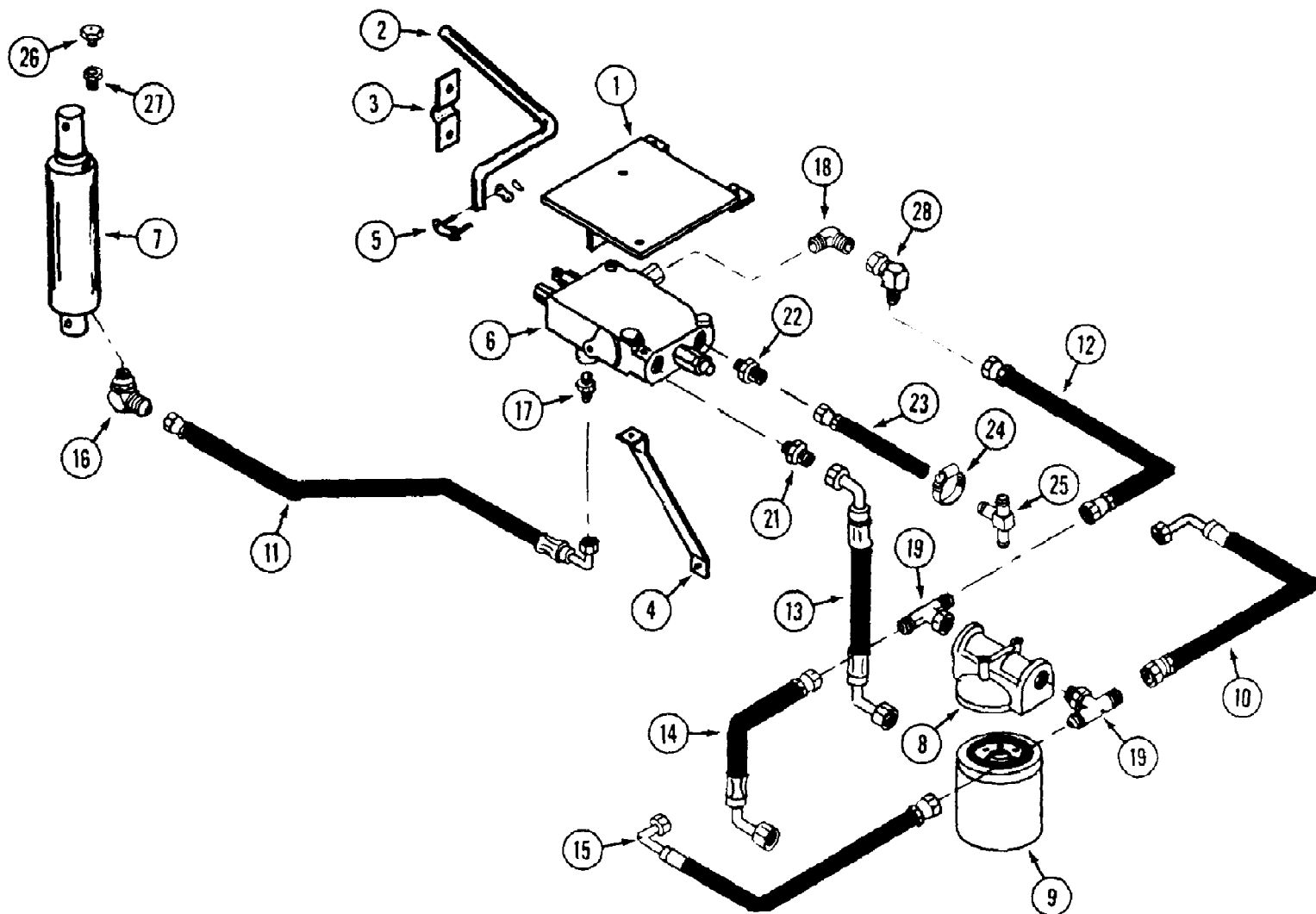


133-018-190 FR-1800C (1993)
Hydraulic Lift Assembly (Dual Acting Lift Cylinder)

Page 43 of 62

Ref #	Part Number	Qty	S/P/F	Description
1	WD-212-0002	1		MOUNT - valve
2	WD-212-0003	1		VALVE LEVER
3	WD-111-0004	1	S	BEARING - clutch brake cross rod
4	WD-212-0005	1		SUPPORT valve
5	WD-900-1004	1		CONNECTING LINK - #50
6	WD-900-8000	1		VALVE
7	WD-900-8070	1		LIFT CYLINDER
8	WD-900-8072	1	S	HOUSING - oil filter
9	WD-900-8073	1	S	ELEMENT - oil filter
10	WD-900-8103	2	S	HOSE - 3/8" ID x 26" long
11	WD-900-8106	1		HOSE - 3/8" ID x 31" long
12	WD-900-8101	1		HOSE - 3/8" ID x 20" long
13	WD-900-8102	1		HOSE - 3/8" ID x 13" long
14	WD-900-8105	1		HOSE - 3/8" ID x 11.5" long
15	WD-900-8104	1		HOSE - 3/8" ID x 21" long
16	WD-900-8116	2		FITTING - male o-ring, 90° male tube adp.
17	WD-900-8094	3		FITTING - male o-ring, male tube adp.
18	WD-900-8097	1		FITTING - male o-ring, 90° male tube adp.
19	WD-900-8095	2		FITTING - male tube, male o-ring tee

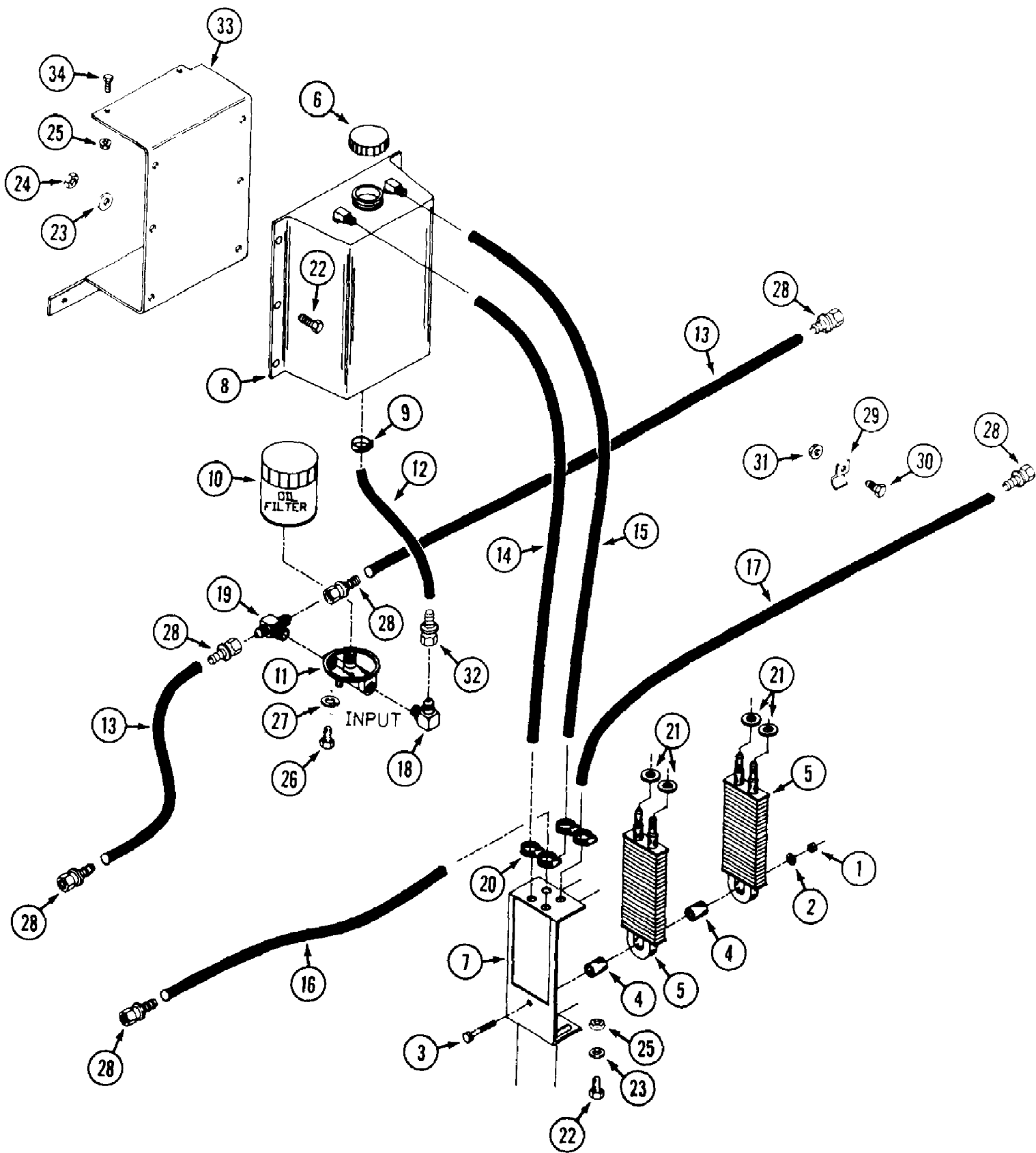
133-018-190 FR-1800C (1993)
Hydraulic Lift Assembly (Single Acting Lift Cylinder)



133-018-190 FR-1800C (1993)
Hydraulic Lift Assembly (Single Acting Lift Cylinder)

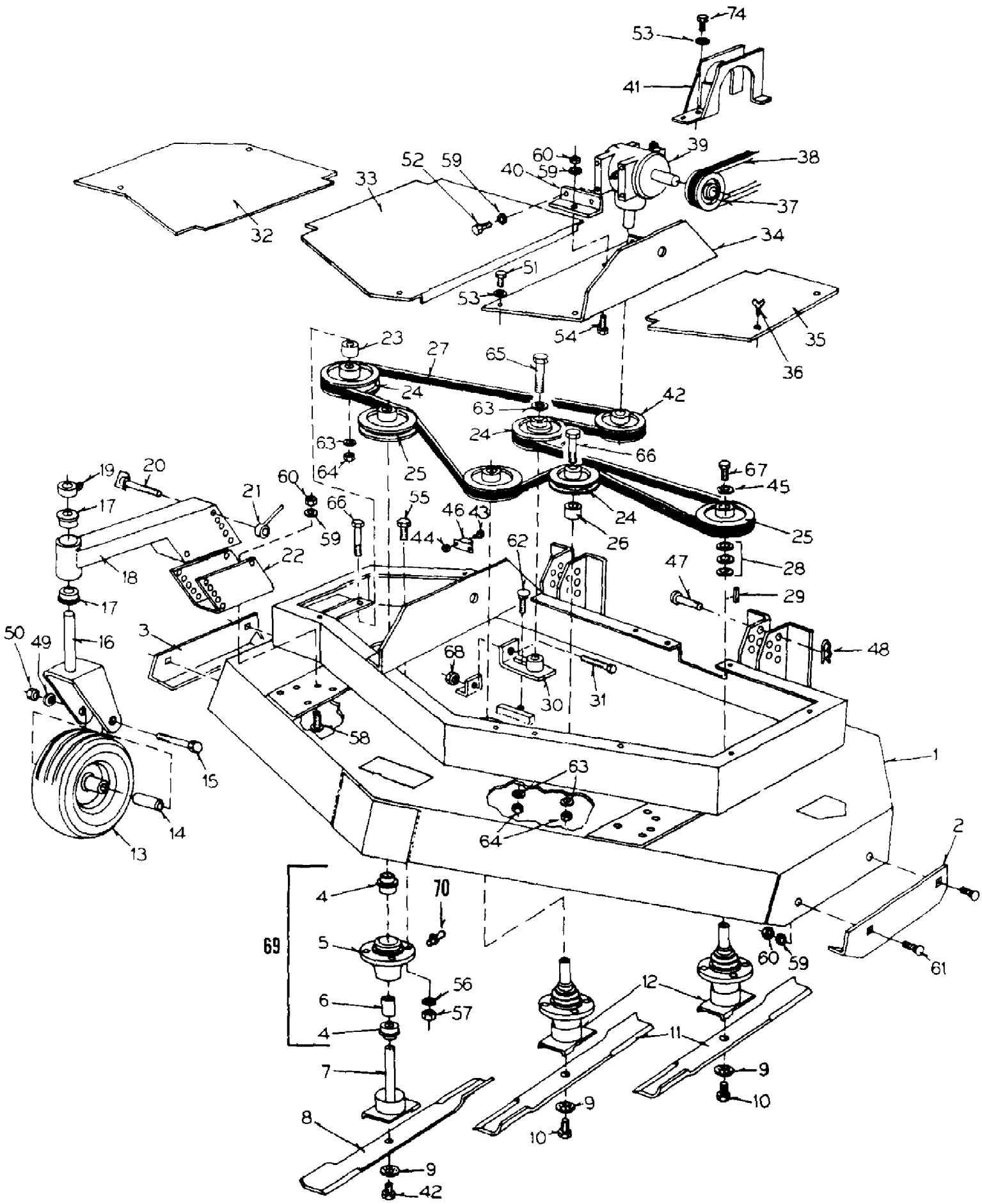
Page 45 of 62

Ref #	Part Number	Qty	S/P/F	Description
1	WD-212-0002	1		MOUNT - valve
2	WD-212-0003	1		LEVER - actuator
3	WD-111-0004	1	S	BEARING
4	WD-212-0005	1		SUPPORT - valve
5	WD-900-1004	1		CONNECTING LINK - #50
6	WD-C42937	1		VALVE - lift
7	WD-C44030	1		CYLINDER - lift
8	WD-900-8072	1	S	HOUSING - oil filter
9	WD-900-8073	1	S	ELEMENT - oil filter
10	WD-900-8103	2	S	HOSE - 3/8" ID x 26" long
11	WD-900-8106	1		HOSE - 3/8" ID x 31" long
12	WD-900-8101	1		HOSE - 3/8" ID x 20" long
13	WD-900-8102	1		HOSE - 3/8" ID x 13" long
14	WD-900-8105	1		HOSE - 3/8" ID x 11.5" long
15	WD-900-8104	1		HOSE - 3/8" ID x 21" long
16	WD-900-8116	2		FITTING - 90° male tube adp.
17	WD-900-8094	3		FITTING - straight
18	WD-218-5128	1		FITTING - tee
19	WD-900-8095	1		FITTING - tee
?20	WD-218-5105	1		FITTING - straight
21	WD-218-5058	1		FITTING - straight
22	WD-218-5059	1		FITTING - straight
23	WD-C44636	1		HOSE - 1/2"
24	WD-900-5629	3		CLAMP - hose
25	WD-C44193	1		FITTING - tee
26	WD-C42935	1		BREATHER
27	WD-C42936	1		FITTING - adaptor (If required)
28	WD-900-8121	1		FITTING - 90°



Ref #	Part Number	Qty	S/P/F	Description
1	WD-131-69	1		NUT - lock 5/16"
2	WD-195-103	1		WASHER - 5/16"
3	WD-113-119	1		BOLT - 5/16" - 18 x 2-3/4"
4	WD-C41974	2		BUSHING - rubber
5	WD-900-8164	2		COOLER - oil
6	WD-900-8059	1	S	CAP - oil tank
7	WD-114-0012	1		MOUNT - oil cooler
8	WD-900-8165	1	S	TANK - oil
9	WD-214-254	2	S	CLAMP - hose 5/8"
10	WD-900-8073	1	S	FILTER - oil
11	WD-900-8072	1	S	HEAD - oil filter
12	WD-C42785	1		HOSE - 5/8" x 11" (12" cut to length)
13	WD-C42784	1		HOSE - hydraulic 3/8" x 13" (48" cut to length)
14	WD-C42784	1		HOSE - hydraulic 3/8" x 25" (48" cut to length)
15	WD-C42784	1		HOSE - hydraulic 3/8" x 27" (48" cut to length)
16	WD-C42784	1		HOSE - hydraulic 3/8" x 38" (48" cut to length)
17	WD-C42784	1		HOSE - hydraulic 3/8" x 24" (48" cut to length)
18	WD-900-8076	1		FITTING - male 90° adapter
19	WD-900-8095	1		FITTING - male tee adapter
20	WD-214-274	4		CLAMP - hose 3/8"
21	WD-900-5829	4		GROMMET - 1/2" ID x 1" OD
22	WD-113-3	6		BOLT - 1/4"-20 x 3/4"
23	WD-195-102	8		WASHER - 1/4"
24	WD-131-1102	4		NUT - 1/4"-20 lock
25	WD-131-934	2		NUT - 1/4"-20 flange lock
26	WD-C41931	2		BOLT - 1/4"-20 x 3/4" self-tap
27	WD-192-19	2		LOCKWASHER - 1/4"
28	WD-C41986	6		FITTING - 3/8" hose barb x 3/8" FM JIC
29	WD-C32455	1		CLIP - "J"
30	WD-113-102	1		BOLT - 5/16" x 18 x 3/4"
31	WD-131-911	1	S	NUT - 5/16"-18 flange lock
32	WD-900-8089	1		FITTING - 5/8" hose barb x 1/2" FM JIC
33	WD-213-0001	1		MOUNT - oil tank
34	WD-113-1	4		BOLT - 1/4"-20 x 1/2"
?35	WD-C42590	2		FITTING - 90°

Mower Deck & Attaching Parts (52" Rear Discharge) For W885 Mower Deck

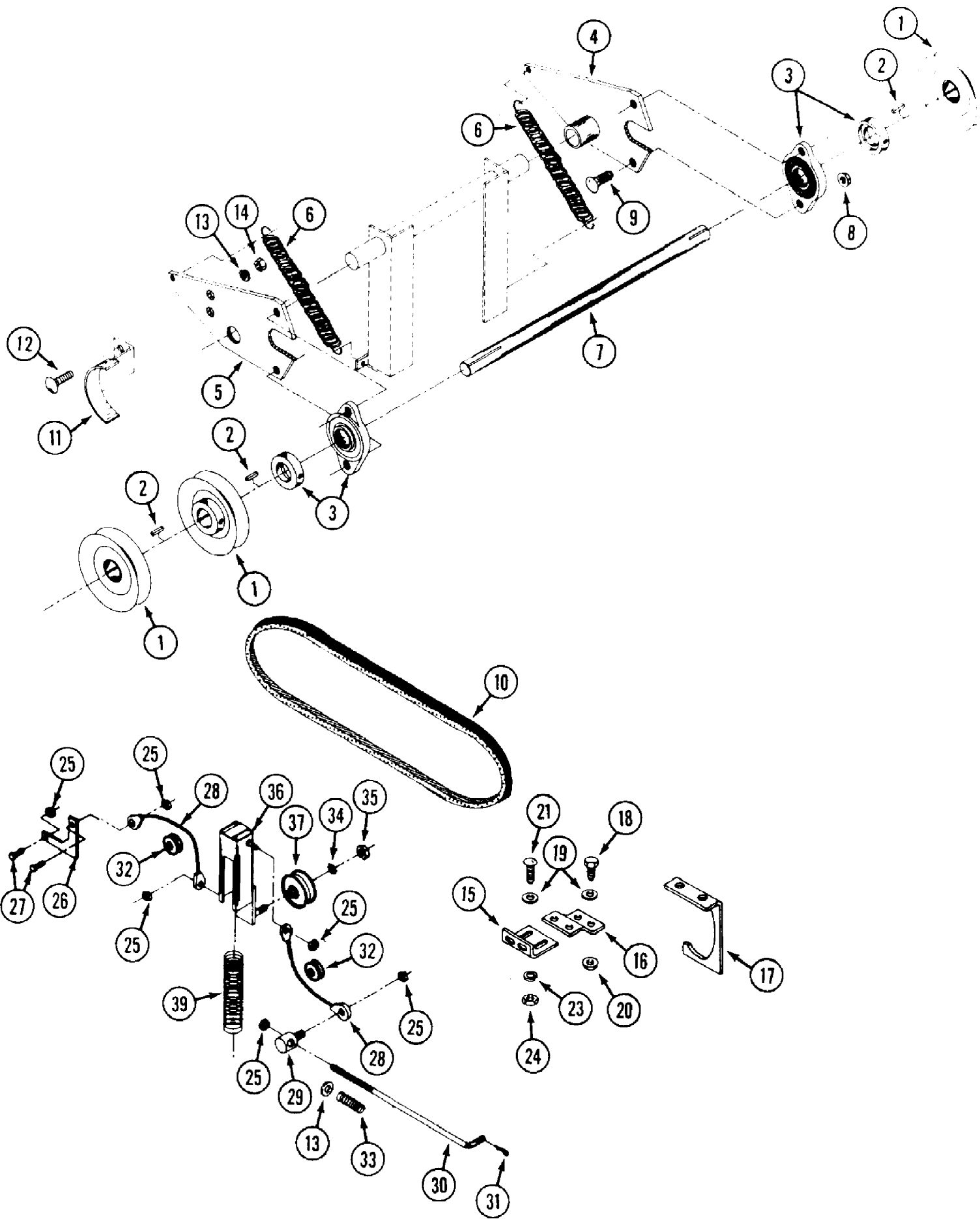


Mower Deck & Attaching Parts (52" Rear Discharge) For W885 Mower Deck

Ref #	Part Number	Qty	S/P/F	Description
1	WD-C44087	1		DECK - rear discharge 52"
2	WD-320-0014	1		SHOE - skid L.H.
3	WD-321-0003	1		SHOE - skid R.H.
4	WD-900-3506	6	S	BEARING - spindle 7/8
5	WD-300-0025	3	S	HOUSING - spindle
6	WD-300-0027	3	S	SPACER - spindle
7	WD-321-0004	1	S	SHAFT - spindle L.H. rotation
8	WD-900-5914	1	S	BLADE - L.H. rotation
9	WD-900-5534	3	S	WASHER - blade
10	WD-900-6080	2	S	BOLT - 3/8"-24 x 1-1/4"
11	WD-900-5814	2	S	BLADE - R.H. rotation
12	WD-300-0026	2	S	SHAFT - spindle
13	WD-900-4004	2		WHEEL - gauge
	WD-900-4006	1		TIRE - 11 x 4.00 - 5
	WD-900-4005	1		RIM - 5"
	WD-900-3505	2	S	BEARING - wheel
14	WD-200-0017	2	S	AXLE - gauge wheel
15	WD-900-6133	2	S	BOLT - 1/2"-13 x 6-1/2"
16	WD-330-0007	2		FORK - gauge wheel
17	WD-900-3501	4	S	BEARING - 1"
18	WD-300-0043	2		MOUNT - gauge wheel
19	WD-900-5510	2		COLLAR - set 1"
20	WD-900-6096	4		BOLT - wing 3/8"-16 x 4-1/2"
21	WD-900-6092	4		NUT - gauge wheel handle 3/8"-16
22	WD-300-0044	2	S	BRACKET - gauge wheel mount
23	WD-321-0005	1		SPACER - idler pulley
24	WD-900-2558	3	S	PULLEY - idler 5"
25	WD-900-2557	3		PULLEY - spindle 4-1/2"
26	WD-300-0016	1	S	SPACER - idler pulley
27	WD-900-3028	1	S	BELT - deck
28	WD-900-6002	9	S	WASHER - spacer
29	WD-300-0021	5	S	KEY - 3/16" x 3/16" x 1"
30	WD-300-0015	1		TIGHTENER - belt
31	WD-900-6034	1		BOLT - 1/4" - 20 x 4"
32	WD-321-0002	1		COVER - R.H.
33	WD-320-0002	1		COVER - center
34	WD-321-0001	1		MOUNT - gear box
35	WD-320-0001	1		COVER - L.H.
36		6		SCREW - thumb 1/4" - 20 x 1/2" (NSS. use 113-3 and 192-19)
37	WD-900-2525	1	S	PULLEY - gear box input
38	WD-900-3004	1	S	BELT - drive (1800, 2000)
38	WD-C44241	1	S	BELT - drive (1800C)
39	WD-900-5842	1	S	GEAR BOX - angle drive (See page 77 for service) (Curtis model)
39	WD-C42775	1	S	GEAR BOX - angle drive (See page 77 for service) (Superior model)
40	WD-310-0006	1		ANGLE - gear box mount
41	WD-311-0002	1		GUARD - belt
42	WD-900-6106	1		BOLT - 3/8"-24 x 1-1/4" L.H.
43	WD-C37597	2		SCREW - #10-32 x 1/2"

Mower Deck & Attaching Parts (52" Rear Discharge) For W885 Mower Deck

Ref #	Part Number	Qty	S/P/F	Description
44	WD-900-6150	2		NUT - lock #10-32
45	WD-300-0017	3	S	WASHER - spindle
46	WD-900-2044	1	S	BREAKER - circuit 10 amp
47	WD-900-5519	2		PIN - clevis 1/2" x 1-1/2"
48	WD-900-5520	2		PIN - cotter, hair
49	WD-900-6127	2	S	LOCKWASHER - 1/2"
50	WD-C37593	2	S	NUT - 1/2"-13
51	WD-C38084	5		BOLT - 1/4"-20 x 3/4"
52	WD-C38085	4		BOLT - 5/16"-18 x 1"
53	WD-C37757	7		LOCKWASHER - 1/4"
54	WD-C38086	1		BOLT - 5/16"-18 x 3/4"
55	WD-C38087	1		BOLT - 7/16"-14 x 1-1/4"
56	WD-C38088	12		LOCKWASHER - 1/16"
57	WD-C38089	12	/P	NUT - 7/16"-14
58	WD-C38090	6		BOLT - carriage 5/16"-18 x 1"
59	WD-C37748	10		LOCKWASHER - 5/16"
60	WD-C37560	10		NUT - 5/16"
61	WD-C38091	4		BOLT - carriage 5/16"-18 x 3/4"
62	WD-C38092	1	S	BOLT - carriage 3/8"-16 x 1"
63	WD-C37591	4		LOCKWASHER - 3/8"
64	WD-C37592	3	S	NUT - 3/8"-16
65	WD-C38093	1		BOLT - 3/8"-16 x 1-1/4"
66	WD-C38094	2		BOLT - 3/8"-16 x 2-1/2"
67	WD-C37899	3		BOLT - 5/16"-24 x 3/4"
68	WD-C37734	1	S	NUT - lock 1/4"-20
69	WD-600-0000	3	S	HOUSING ASSEMBLY - spindle (Includes ref. 4, 5 and 6)
70	WD-219-20	3		FITTING - grease 1/4"-28
74		1		UNKNOWN

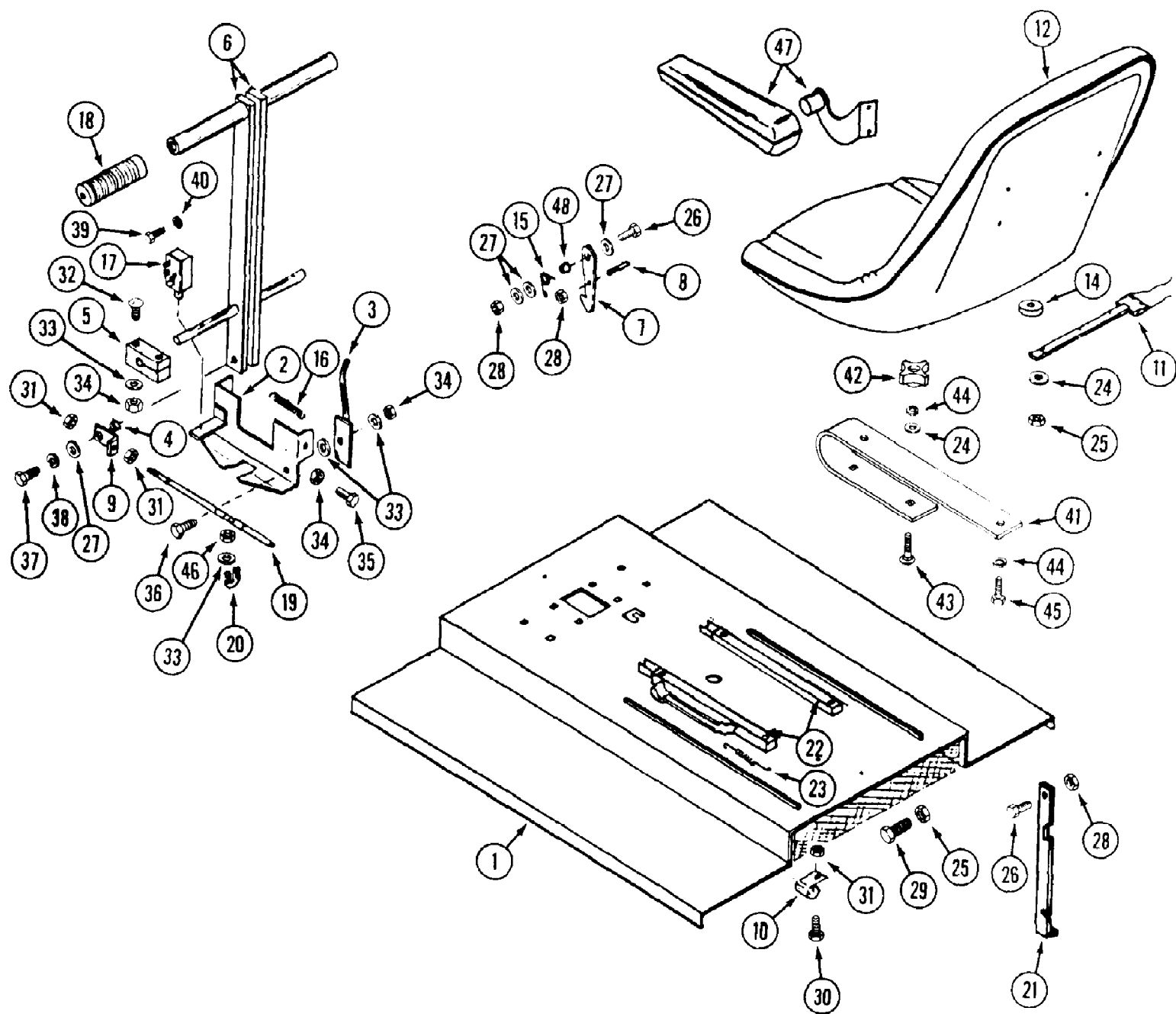


133-018-190 FR-1800C (1993)
Pump Drive Cross Shaft

Page 52 of 62

Ref #	Part Number	Qty	S/P/F	Description
1	WD-900-2506	3	S	PULLEY - 4" OD x 3/4" ID (Use 83-55 set screw)
2	WD-900-7001	3	S	KEY - 3/16" x 3/16" x 1"
3	WD-900-3516	2		BEARING - flanged (Includes locking collar)
4	WD-114-0006	1	S	MOUNT - bearing L.H.
5	WD-114-0007	1	S	MOUNT - bearing R.H.
6	WD-900-6502	2		SPRING - extension
7	WD-114-0002	1	S	SHAFT - cross
8	WD-131-911	4	S	NUT - 5/16-18 flange lock
9	WD-111-203	4		BOLT - 5/16"-18 x 1" carriage
10	WD-900-3010	1	S	BELT - drive (1800)
10	WD-C44308	1	S	BELT - drive (1800C)
11	WD-114-0008	1		RETAINER - cross shaft belt (1800)
11	WD-C44336	1		RETAINER - cross shaft belt (1800C)
12	WD-111-108	2		BOLT - 1/4"-20 x 3/4" carriage
13	WD-195-102	2		WASHER - 1/4"
14	WD-131-934	2		NUT - 1/4" - 20 flange lock
15	WD-114-0010	1		BRACKET - engine belt retainer
16	WD-C44328	1		BRACKET - engine belt
17	WD-114-0011	1		RETAINER - engine belt
18	WD-113-3	2		BOLT - 1/4" - 20 x 3/4"
19	WD-195-102	2		WASHER
20	WD-131-934	2		NUT - 1/4"-20 flange lock
21	WD-111-111	2		BOLT - 1/4"-20 x 1" carriage
?22	WD-195-102	2		WASHER - 1/4"
23	WD-192-19	2		LOCKWASHER - 1/4"
24	WD-129-101	2		NUT - 1/4"-20
25	WD-131-71	6		NUT - nylock 1/4"-20
26	WD-114-0014	1		BRACKET - "L", brake linkage
27	WD-113-4	2		BOLT - 1/4"-20 x 1"
28	WD-900-5824	2		CABLE - clutch, brake
29	WD-111-0014	1		COLLAR - caliper rod
30	WD-111-0007	1		ROD - caliper
31	WD-900-6175	1		PIN - cotter - 3/32" x 1"
32	WD-C38963	2		PULLEY - 1-1/2" OD
33	WD-900-5722	1		SPRING - caliper rod
34	WD-192-21	1	S	LOCKWASHER - 3/8"
35	WD-129-103	1	S	NUT - 3/8"-16
36	WD-114-0003	1		TUBE - drive idler (1800)
36	WD-C44329	1		TUBE - drive idler (1800C)
37	WD-C14672	1		PULLEY - idler 2-1/4" O.D.
?38	WD-131-938	1		NUT - 3/8"-16 flange lock
39	WD-900-5580	1		SPRING - belt tightener

133-018-190 FR-1800C (1993)
Seat Lid and Steering



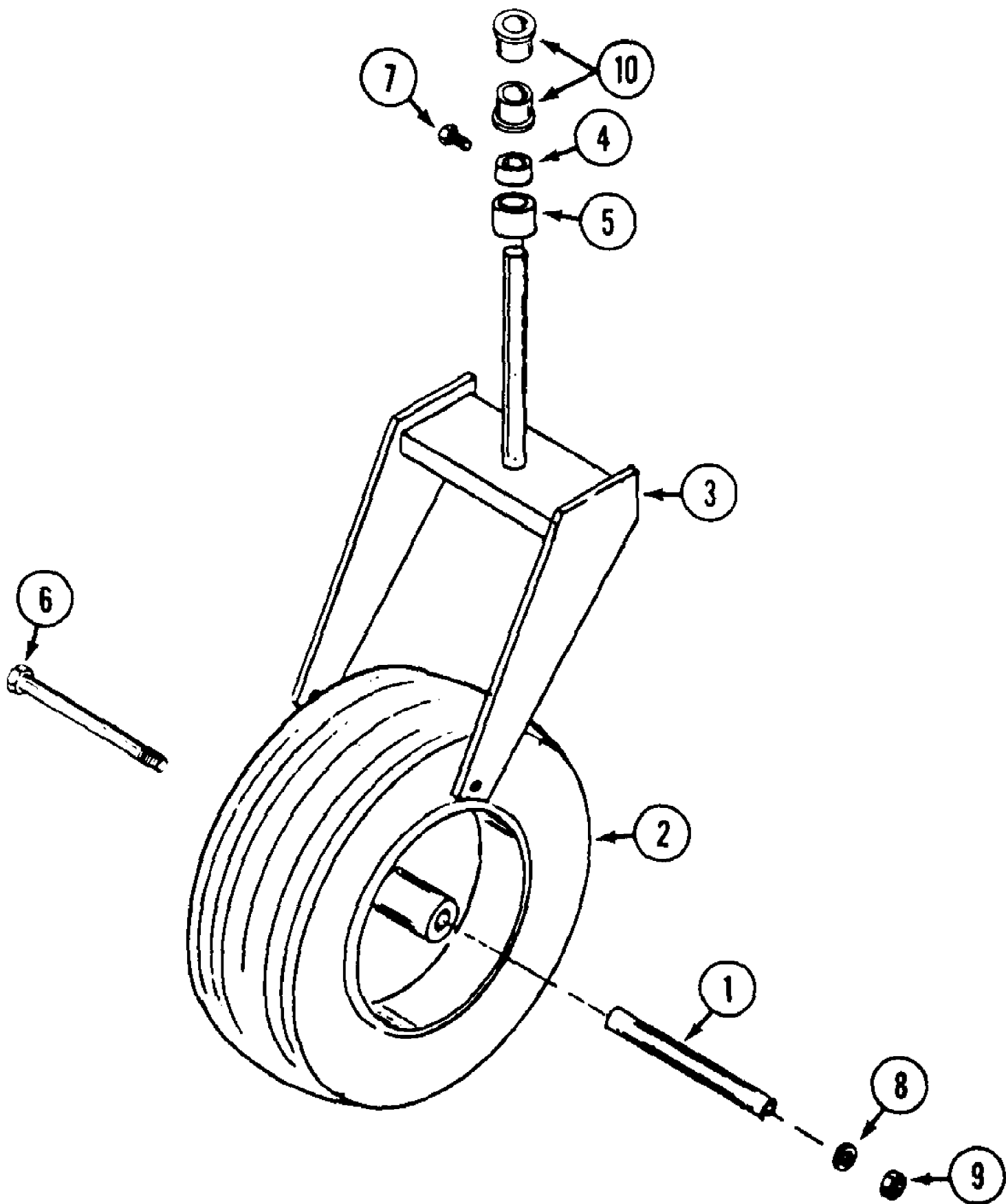
Ref #	Part Number	Qty	S/P/F	Description
1	WD-201-0004	1		LID - seat (1800, 2000C)
1	WD-C44237	1		LID - seat (1800C)
2	WD-201-0010	1		BRACKET - lever lock
3	WD-200-0012	1		LATCH - lever lock
4	WD-C42895	2	/P	BUSHING (Also order C42896)
5	WD-200-0010	4		BEARING - block
6	WD-200-0009	2		LEVER - steering (1800, 2000C)
6	WD-C43406	2		LEVER - steering (1800C)
7	WD-C44481	1		LATCH - seat lid
8		1		BOLT - latch, seat lid (NSS. is included with C44481)
9	WD-140-0023	4		BRACKET - steering cable end (2000C)
9	WD-C42896	4		BRACKET - steering cable end (Also order C42895)
10	WD-C32455	1		RETAINER - harness, seat lid
11	WD-900-2001	1		SWITCH - seat
12	WD-900-5597	1		SEAT (1800, 2000C)
12	WD-C43202	1		SEAT (1800C)
14	WD-900-5523	4		SPACER - seat
15	WD-900-5700	1		SPRING - latch, seat lid
16	WD-900-5501	1		SPRING - bracket, lever lock
17	WD-900-2029	1	S	SWITCH - safety
18	WD-900-5500	2	S	GRIP - handle
19		2		CABLE - steering NSS (1800C, 1800 S/N 41-027-012814 and after) (See "Steering Cable Kit" illustration and parts list.)
19	WD-900-5502	2	S	CABLE - steering (1800 before S/N 41-027-012814)
19	WD-900-5717	2		CABLE - steering (2000C)
20	WD-900-5503	VAR	S	CLAMP - steering cable (1800, 1800C)
20	WD-900-5625	4		CLAMP - steering cable (2000C)
21	WD-200-0008	1		PROP - seat lid
22	WD-900-5813	1		KIT - seat slide rail (pair) (1800, 2000C)
23	WD-900-5767	1		SPRING - seat
24	WD-900-6152	4		WASHER - 5/16"
25	WD-131-69	4		NUT - 5/16"
26	WD-113-4	2		BOLT - 1/4"-20 x 1"
27	WD-195-102	5		WASHER - 1/4"
28	WD-131-71	3		NUT - 1/4"-20 lock
29	WD-113-103	2		BOLT - 5/16"-18 x 1"
30	WD-182-528	1		SCREW - #10-32 x 1/2"
31	WD-900-6150	5		NUT - #10-32
32	WD-111-114	8		BOLT - 1/4"-20 x 1-1/2" carriage
33	WD-195-102	10		WASHER - 1/4"
34	WD-131-71	11		NUT - 1/4"-20 lock
35	WD-113-3	2		BOLT - 1/4"-20 x 3/4"
36	WD-C42359	1		BOLT 1/4"-20 x 2"
37	WD-113-3	2		BOLT - 1/4"-20 x 3/4"
38	WD-192-19	2		LOCKWASHER - 1/4"
39	WD-182-525	1		SCREW - #10-32 x 3/8"
40	WD-192-18			WASHER - 3/16"

133-018-190 FR-1800C (1993)
Seat Lid and Steering

Page 55 of 62

Ref #	Part Number	Qty	S/P/F	Description
41	WD-C43137	2		SPRING - seat (1800C)
42	WD-C43438	4		KNOB - seat
43	WD-111-204	4		BOLT - carriage 5/16"-18 x 1-1/4"
44	WD-900-6151	8		LOCKWASHER - 5/16"
45	WD-113-103	4		BOLT - 5/16"-18 x 1"
46	WD-131-1102	8		NUT - 1/4"-20
47		1		KIT - arm rest (Optional) (NSS order as machinery item)
	WD-C22947	1		TIE - nylon
48		1		UNKNOWN

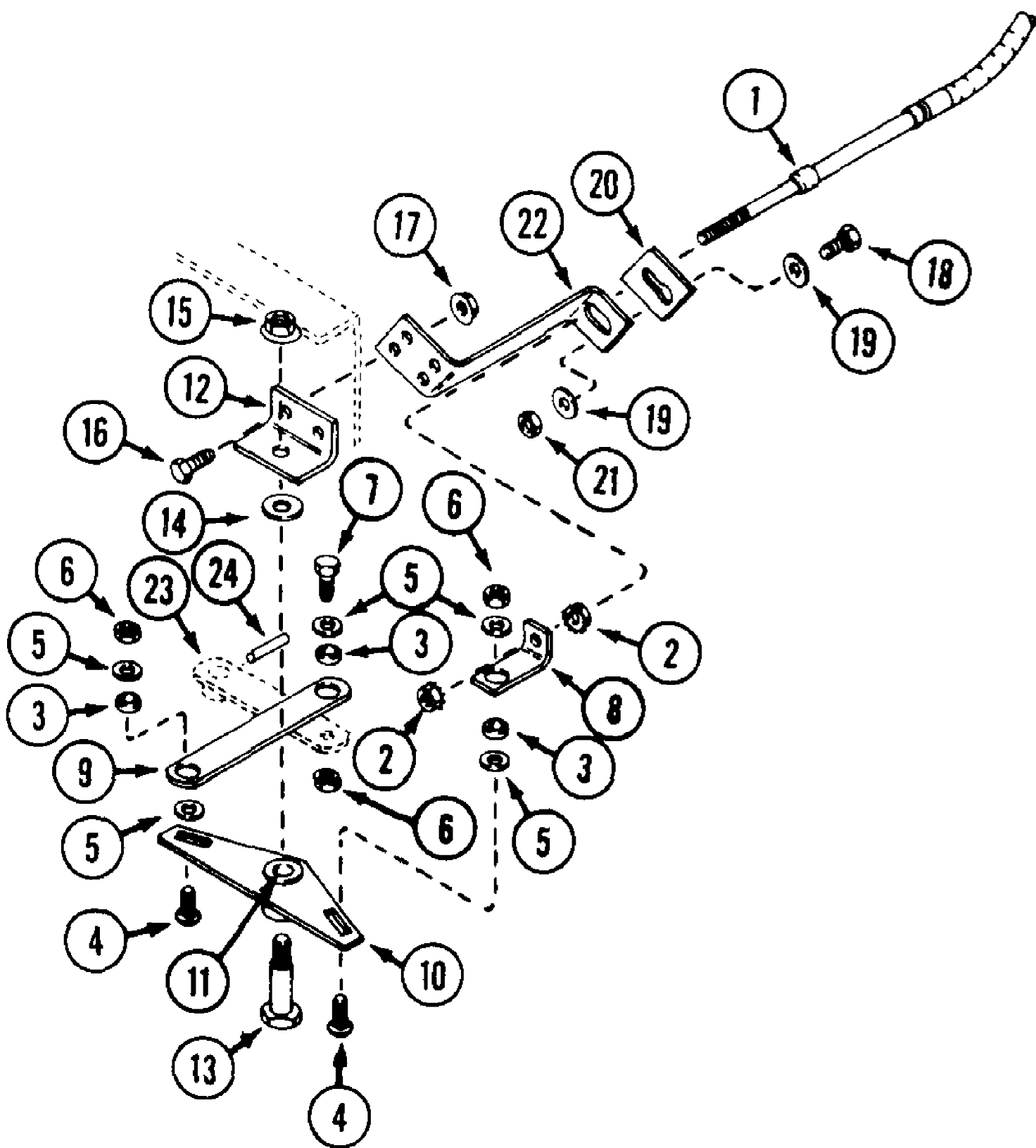
133-018-190 FR-1800C (1993)
Single Tail Wheel



133-018-190 FR-1800C (1993)
Single Tail Wheel

Page 57 of 62

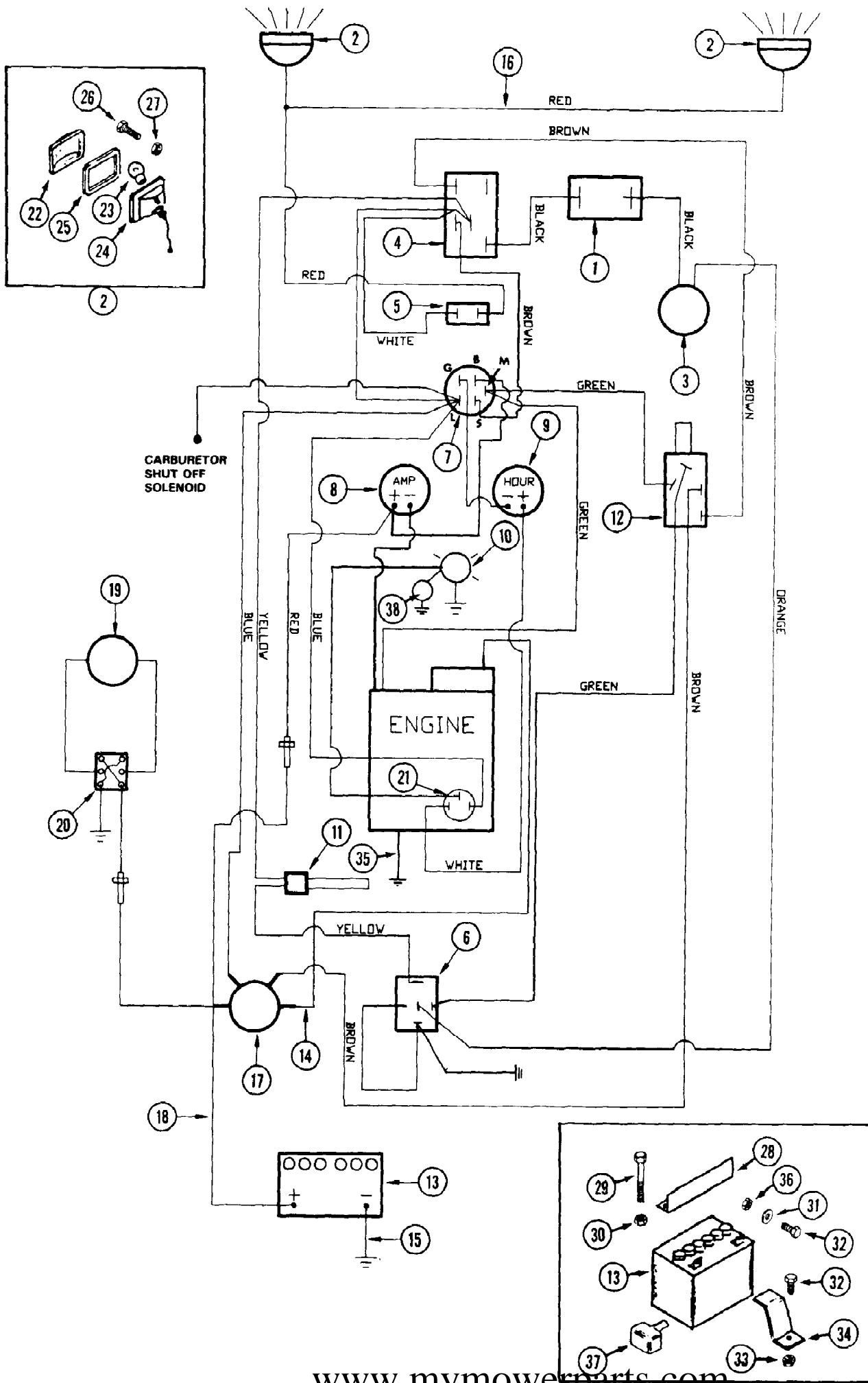
Ref #	Part Number	Qty	S/P/F	Description
1	WD-230-0017	1		AXLE - wheel
2	WD-900-4017	1	S	WHEEL ASSEMBLY - tail
	WD-900-3515	2	S	BEARING - wheel
	WD-900-4018	8		TIRE - 15 x 6.50 - 8
	WD-900-4019	1	S	RIM - 8"
3	WD-230-0001	1	S	FORK - tail wheel
4	WD-900-5510	1		COLLAR - set 1"
5	WD-213-0003	1		SPACER - tail wheel fork
6	WD-113-452	1		BOLT - 1/2"-13 x 9-1/2"
7	WD-C37756	1		SCREW - set 5/16"-18 x 1/2" square head
8	WD-192-23	1		LOCKWASHER - 1/2"
9	WD-129-105	1	S	NUT - 1/2"-13
10	WD-900-3501	2	S	BEARING - ball 1"
	WD-219-92	1		FITTING - grease 90° 1/4"-28 self tap (caster pivot)



133-018-190 FR-1800C (1993)
Steering Cable Kit

Page 59 of 62

Ref #	Part Number	Qty	S/P/F	Description
	WD-C43293	1	/P	Steering Cable Kit
1	WD-900-5819	2	S	CABLE - steering 46"
2	WD-900-6150	8		NUT - #10-32
3	WD-C42895	8	/P	BUSHING - steering cable
4	WD-111-111	4		BOLT - 1/4"-20 x 1" carriage
5	WD-195-102	10		WASHER - 1/4"
6	WD-131-71	6		NUT - 1/4"-10
7	WD-113-4	2		BOLT - 1/4"-20 x 1"
8	WD-C42896	4		BRACKET - steering cable end
9	WD-C42897	2		LINK - control cable
10	WD-C42898	2		BELLCRANK
11	WD-C16714	1		BUSHING
12	WD-C42901	2		BRACKET - bellcrank mounting
13	WD-900-3013	2		BOLT - shoulder
14	WD-195-533	2		WASHER - 1/2"
15	WD-131-1352	2		NUT - 3/8"-16 flange lock
16	WD-113-103	4		BOLT - 5/16"-18 x 1"
17	WD-131-911	4	S	NUT - 5/16"-18
18	WD-113-4	2		BOLT - 1/4"-20 x 1"
19	WD-195-102	4		WASHER - 1/4"
20	WD-C42903	2		PLATE - cable mounting
21	WD-131-71	2		NUT - 1/4"-20 lock
22	WD-C42902	2		BRACKET - cable mounting
23	WD-C42904	2		ARM - transmission
24	WD-C34173	2		PIN - spring



Ref #	Part Number	Qty	S/P/F	Description
	WD-C44265	1		HARNESS wire (1800C)
	WD-900-2034	1		HARNESS wire (1800)
1	WD-900-2044	1	S	BREAKER - circuit, 10 amp
2		2		HEADLIGHT (NSS. use C32178 and C44075)
3	WD-900-5581	1	S	CLUTCH - PTO, electric
4	WD-900-2028	1	S	SWITCH - PTO
5	WD-900-2027	1	S	SWITCH - headlight
6	WD-900-2037	1	S	RELAY
	WD-113-3	1		BOLT - 1/4"-20 x 3/4" (Relay mounting)
	WD-192-19	1		LOCKWASHER - 1/4" (Relay mounting)
	WD-121-101	1		NUT - 1/4"-20 (Relay mounting)
7	WD-900-2003	1	S	SWITCH - ignition (Also use C32407)
	WD-C32407	1		KEY - ignition
	WD-C32397	1		CAP - nut
	WD-193-63	1		LOCKWASHER - 5/8"
	WD-C32396	1		NUT - 5/8"-32
8	WD-900-2002	1		AMMETER
9	WD-900-2023	1	S	METER - hour
10	WD-900-2041	1		LIGHT - oil
11	WD-900-2001	1		SWITCH - seat
12	WD-900-2029	1	S	SWITCH - safety (Enlarge mounting hole if required)
13	WD-900-2060	1		BATTERY - 12 volt
14	WD-900-2010	1		WIRE - starter (1800)
14	WD-C44261	1		WIRE - starter (1800C)
15	WD-900-2009	1		CABLE - ground
16	WD-900-2014	1		WIRE - headlight
17	WD-900-2005	1		SOLENOID - starting
	WD-113-3	2		BOLT - 1/4"-20 x 3/4" (Solenoid mounting)
	WD-192-19	2		LOCKWASHER - 1/4" (Solenoid mounting)
	WD-129-101	2		NUT - 1/4"-20 (Solenoid and relay mounting)
	WD-192-20	2		LOCKWASHER - 5/16" (Solenoid studs)
	WD-129-102	2		NUT - 5/16"-18 (Solenoid studs)
	WD-192-18	2		LOCKWASHER - 3/16" (Solenoid studs)
	WD-129-37	1		NUT - #10-32 (Solenoid studs)
	WD-129-6	1		NUT - #8-32 (Solenoid studs)
18	WD-900-2010	1		WIRE - battery positive to solenoid
19	WD-900-2033	1		ACTUATOR - electric lift (Early production) (also see page 73)
20	WD-900-2020	1		SWITCH - deck lift (Early production) (also see page 73)
21	WD-900-5017	1	S	SWITCH - oil light
22	WD-900-2024	2	S	LENS - headlight
23	WD-900-2025	2	S	BULB - headlight
24	WD-900-2026	2		RECEPTICAL - headlight
25	WD-900-2068	2		GASKET - headlight
26	WD-113-4	2		BOLT - 1/4"-20 x 1"
27	WD-129-101	2		NUT - 1/4"-20
28	WD-200-0019	1		BRACKET - battery hold down
29	WD-C38677			www.mymowerparts.com x 7"

Ref #	Part Number	Qty	S/P/F	Description
30	WD-131-71	4		NUT - 1/4"-20 lock
31	WD-195-102	3		WASHER - 1/4"
32	WD-113-3	3		BOLT - 1/4"-20 x 3/4"
33	WD-131-934	1		NUT - 1/4"-20 flange lock
34	WD-200-0021	1		PROTECTOR - battery post (Early production)
35	WD-900-2073	1		WIRE - engine ground
36	WD-129-101	2		NUT - 1/4"-20
37	WD-200-0021	1		COVER - terminal
38	WD-C43048	1		HORN - warning (1800C)